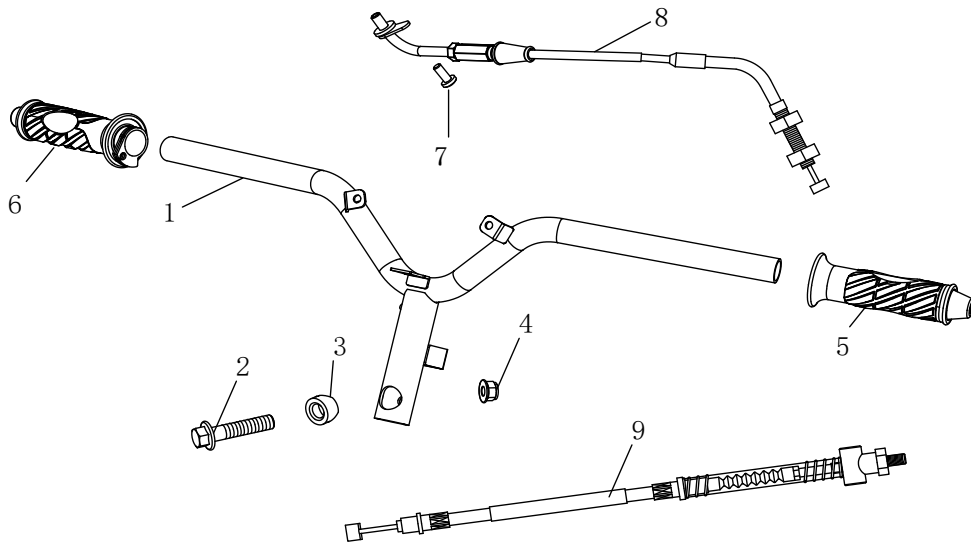
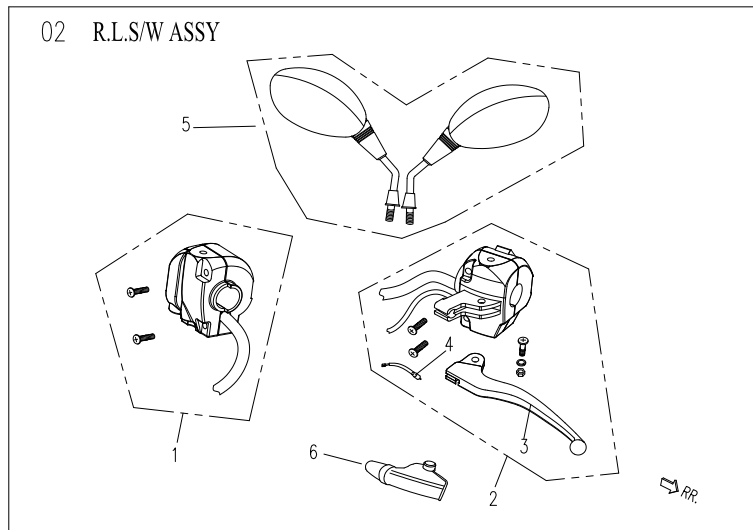


01 STEERING



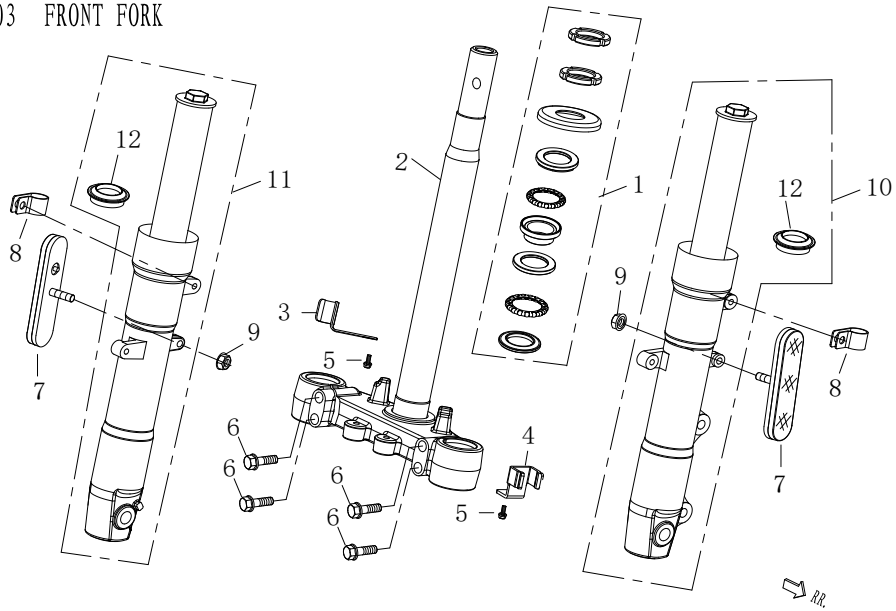
No.	Part No.	Description	Description	Unit	Qty
1	N-45110-0	2550474	LJ50QT-N,电泳黑	HANDLE COMP.	PCS 1
2		3230026	军绿	FLANGE BOLT M10×1.25×48	PCS 1
3	QBC-45101-0000	3420039	LJ50QT-K,彩锌	COLLAR	PCS 1
4	QBK-54303-0000	3238006	GB/T 6187.2,镀军绿	NUT M10×1.25	PCS 1
5	YYLY15006003	3353504	LJ50QT-K	L. GRIP	PCS 1
	QBV-45001-0000	3353506	LJ50QT-V		
6	YYLY15006003	3353510	LJ50QT-K	R. GRIP	PCS 1
	QBV-45001-0000	3353550	LJ50QT-K内芯,LJ50QT-V胶套		
7		3230322	GB/T 818,镀军绿	PAN HEAD SCREW M5×10	PCS 1
8	N-46010-0	3480045	LJ50QT-3L,3B1电控	THROTTLE CABLE	PCS 1
9	N-46200-0	3480517	LJ50QT-3L,全球鹰	BRAKE CABLE	PCS 1

02 R.L.S/W ASSY



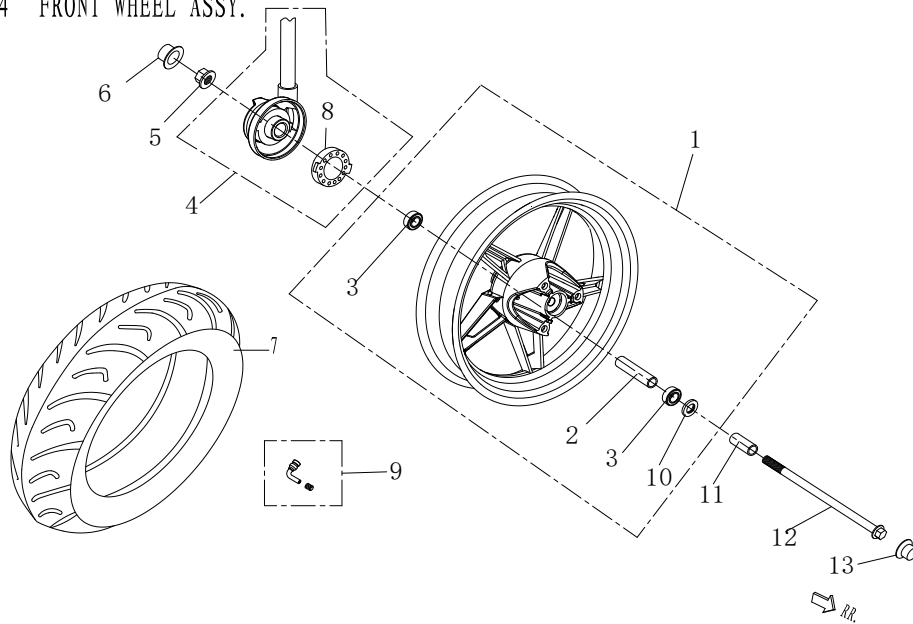
No.	Part No.	Description	Description	Unit	Qty
1	QBL-34100-0000	3410013	LJ50QT-2L,B08款,带手柄Φ17,近远光 P	LEFT HANDLE SWITCH ASSY.	PCS 1
2	N-34300-0	3410053	LJ50QT-K,大灯开关改警示开关	RIGHT HANDLE SWITCH ASSY.	PCS 1
3	QBK-34101-0000	3547001	左手柄	Left lever	PCS 1
4	QBK-57112-0000	3411006	后刹开关	Brake switch RR	PCS 1
5	QBK-81200-0000	3561118	俏宇,QY140,E7-000504	REARVIEW MIRROR R./L	PCS 1
6		3357501	LJ50QT-K	LJ50QT-K	PCS 1

03 FRONT FORK



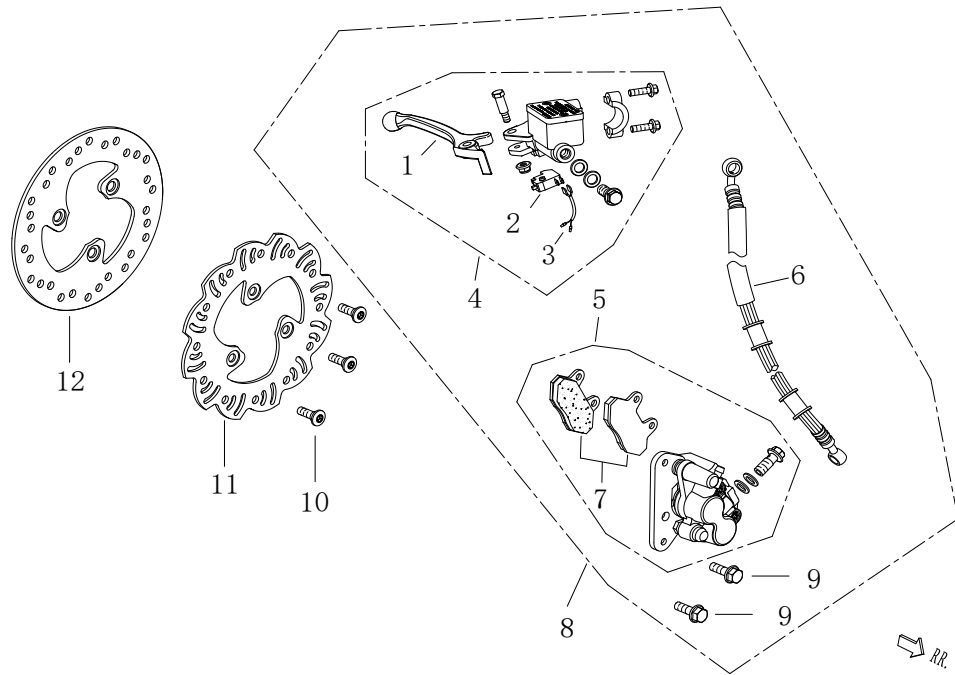
No.	Part No.	Description	Description	Unit	Qty
1	TJR-51300-0000	3570001	LJ125T-16	BALL RACE COMP.	PCS 1
2	N-51200-0	3421564	LJ50QT-N	UNDER BRACKET COMP.	PCS 1
3		2550039	LJ50QT-8M,电泳黑	CABLE HOLDER	PCS 1
4		3429538	LJ125T-2V,F19,电泳黑	BRAKE HOSE HOLDER 2	PCS 1
5		3230061	GB/T 5789,镀军绿	FLANGE BOLT M6×12	PCS 2
6		3230154	GB/T 16674.1,镀军绿	FLANGE BOLT M8×1.25×35	PCS 4
7	QBY-32500-0000	3376008	科光,E9-02.1201,DOT,M6	SIDE RETRO REFLECTING DEVICE	PCS 2
8		3429522	LJ50QT-8M,电泳黑	BRAKE HOSE HOLDER	PCS 2
9		3238027	GB/T 6177.1,镀军绿	NUT M6	PCS 2
10	QBY-51510-0	3510066	星火,Φ31,L420,钱江灰,轴孔Φ12,弹簧刚度6.5	F.R. FORK ASSY	PCS 1
11	QBY-51520-1	3510065	星火,Φ31,L420,钱江灰,轴孔Φ12,弹簧刚度6.5	F.L. FORK ASSY	PCS 1
12	QBK-51001-0000	3510079	油封31*43*10.3	GASKET	PCS 2

04 FRONT WHEEL ASSY.



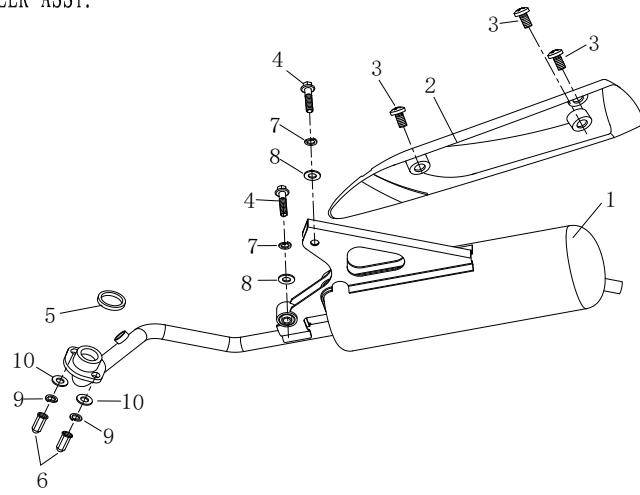
No.		Part No.	Description	Description	Unit	Qty
1	ABS-52100-0000	3500118	碟刹, 飞虎, 2.5*12, 黑, ABS-52100-0000	RIM COMP. 2.5×12	PCS	1
2		3500138	LJ50QT-K, 长76	BUSH	PCS	1
3	TBFF0404	3500135	6201RS	BALL BEARING 6201-2RS	PCS	2
4	QBY-52040-0000	3402008	LJ50QT-8M, CHARGER, 电子式, 波纹管, 黑色	SPEEDOMETER GEAR COMP.	PCS	1
5	TBFE0504	3238011	GB/T 6187.2, 镀彩锌	NUT M12×1.25	PCS	1
6	QBK-52004-0000	3356002	Φ18	RUBBER CAP (17)	PCS	1
7	N-52001-0	3502524	真空, 正新, 环保, 110/70-12, EEC, C922	TIRE 110/70-12	PCS	1
8	QBY-52040-0001	3402011	LJ50QT-8M, CHARGER	ROTATOR	PCS	1
9	QBK-52020-0000	3503505	3503505	RIM VALVE COMP.	PCS	1
10	TBFF0403	3500132	22*35*5	OIL SEAL 22×35×7	PCS	1
11	QBK-52002-0000	3287508	Φ12*Φ22*22, 彩锌	COLLAR	PCS	1
12	QBY-52005-0000	3285015	M12*1.25, 彩锌	FR. WHEEL AXLE M12×1.25×235	PCS	1
13		3356001	Φ14	RUBBER CAP (14)	PCS	1

U5 FRONT DISK BRAKE

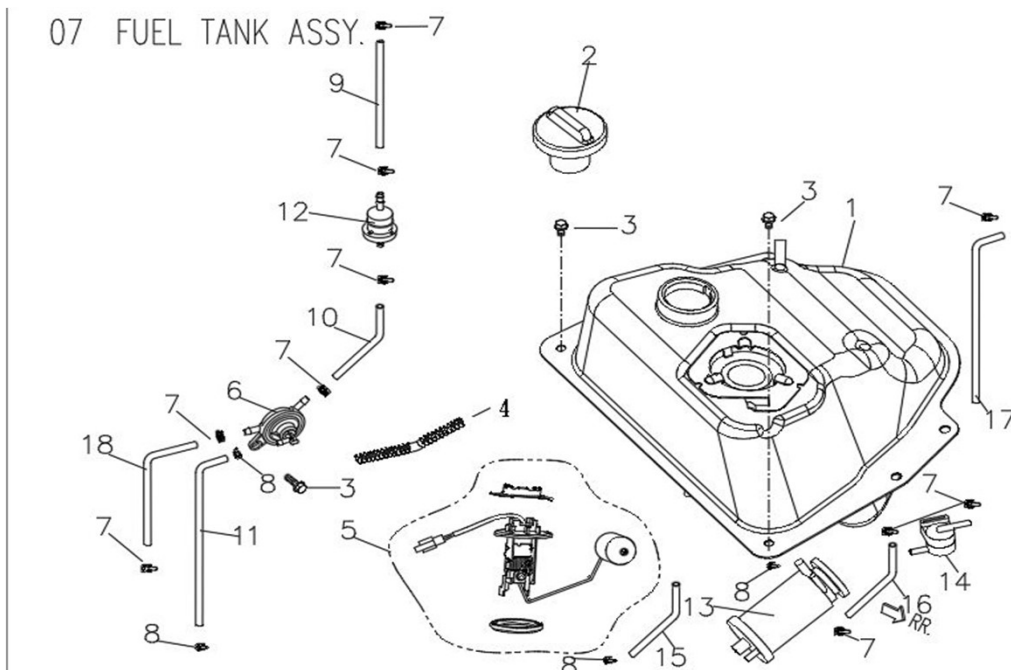


No.		Part No.	Description	Description	Unit	Qty
1	QBL-56111-0000	3547074	LJ50QT-3L,全球鹰,黑色,φ17	DISC BRAKE LEVER R.	PCS	1
2	QBL-56150-0000	3547021	LJ50QT-M,F22,方	BRAKE SWITCH	PCS	1
3	QBM-57112-0000	3547024	LJ50QT-M,F22	BRAKE SWITCH CABLE(FRONT /REAR DISK)	PCS	1
4	N-56110-0	3547076	LJ50QT-3L,全球鹰	CYLINDER COMP	PCS	1
5	N-56130-0	3547094	LJ50QT-8M,双缸,红漆	CALIPER ASSY	PCS	1
6	N-56120-0	3547119	LJ50QT-2L,全球鹰,橡胶管,总长960	FR.BRAKE HOSE	PCS	1
7	QBY-56131-0000	3547012	LJ125T-V,双缸	BRAKE PAD KIT	PCS	1
8		3540138	黑,橡胶管,手柄黑,球头φ17	DISC BRAKE ASSY., FR. MODEL	PCS	1
9		3230391	GB/T 5789,8.8级,镀军绿	BOLT M8×25	PCS	2
10	QBK-57002-0000	3230383	镀军绿,QBR-56002-0000	BOLT	PCS	3
11		3541022	花盘,黑色,外径φ190,厚4,italjet款P	BRAKE DISC,MODEL1	PCS	1
12	TBFF0502	3541018	圆盘,本色,外径φ190,厚4	BRAKE DISC,MODEL2	PCS	1

06 MUFFLER ASSY.

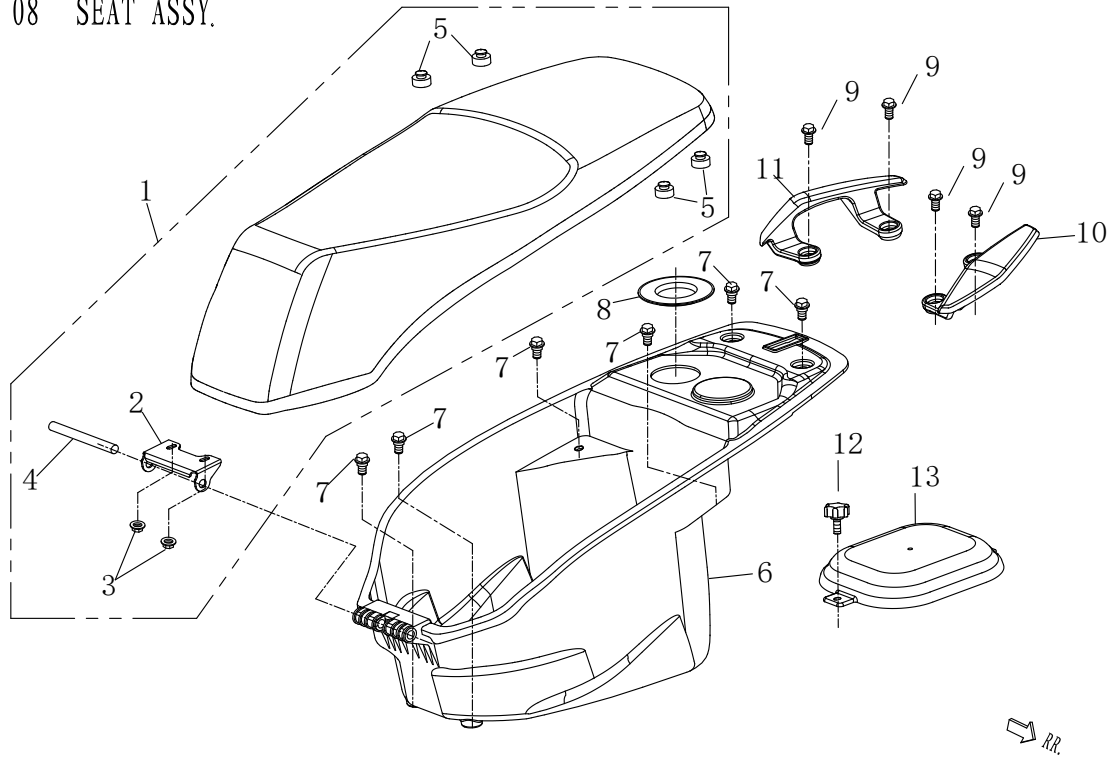


No.		Part No.	Description	Description	Unit	Qty
1	N-26100-0	2530178	有触媒,有氧传感器,e9 LONGJIA 3B3,E彩尾盖,黑塑料护板	MUFFLER EURO 4	PCS	1
	N-26100-1	2530263	欧五,筒体e9 LJ3B4-N EUR5	MUFFLER EURO 5	PCS	1
2	N-26140-0	3330025		SHIELD	PCS	1
3		3230463	盘头14,不锈钢	SCREW M6×16	PCS	3
4		3230173	GB/T 16674.1,镀军绿	BOLT M8×50	PCS	2
5	3B1-26001-0000	3334002	3B1,Φ24*Φ30*5	GROMMET, EXHAUSTPIPE	PCS	1
6		3238067	GB/T 923,镀军绿	NUT M6×32	PCS	2
7		3250405	GB/T 93,镀军绿	SPRING WASHER 8	PCS	2
8		3250067	GB/T 97.1,镀军绿	WASHER 8	PCS	2
9		3250403	GB/T 93,镀军绿	SPRING WASHER 6	PCS	2
10		3250064	GB/T 96,镀军绿	WASHER 6	PCS	2



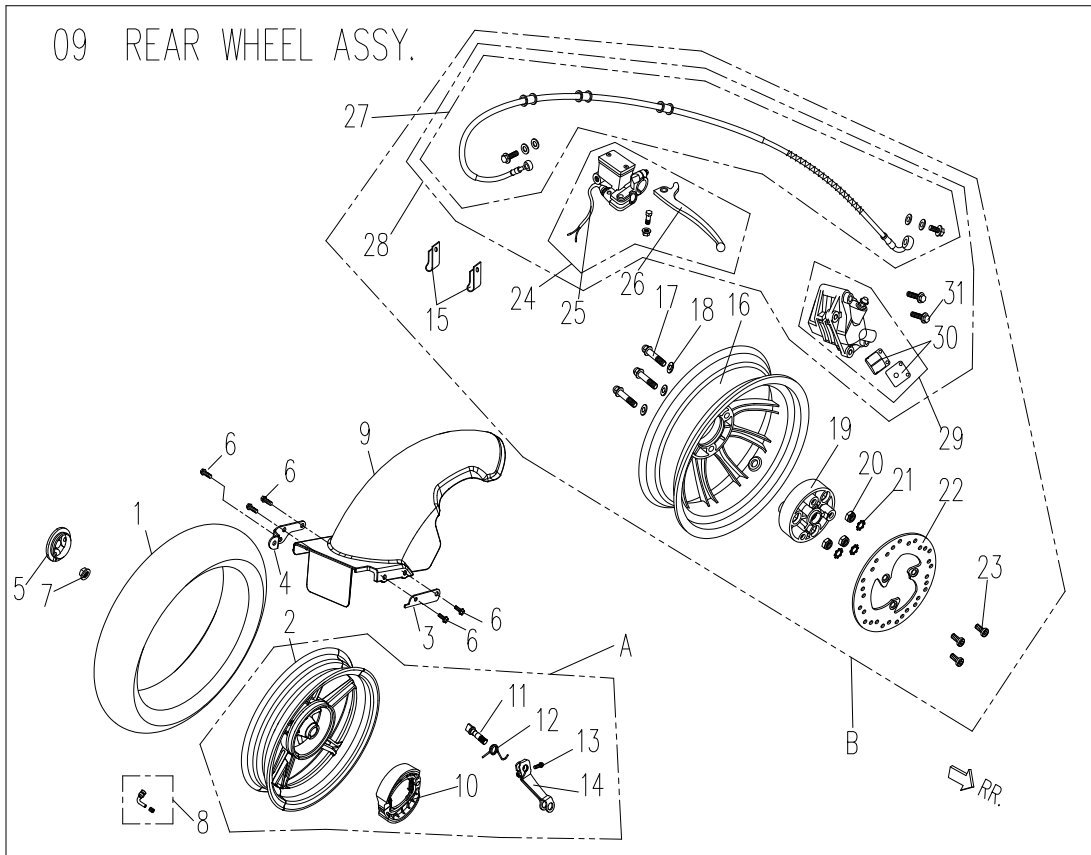
No.	Part No.	Description	Description	Unit	Qty
1	N-44110-0	3470631	LJ50QT-N,化油器,黑色	FUEL TANK COMP.	PCS 1
	N-44110-1	3470009		FUEL TANK COMP. EURO 5	
		3470632	LJ50QT-N,三国电喷,黑色	FUEL TANK COMP. EFI	
2	QBC-44140-0000	3470528	LJ50QT-4,猎鹰,彩锌 P	FUEL TANK CAP	PCS 1
		3470556		FUEL TANK CAP EURO 5	
3		3230061	GB/T 5789,镀军绿	BOLT M6×12	PCS 7
4		3390002	Φ12*Φ0.8*240,发黑	SENDER UNIT GASKET	PCS 1
5	N-33200-0	3402524	LJ50QT-N,含钼20%	SENDER UNIT	PCS 1
	TK4F1402	3470534	LJ50QT-4,猎鹰	FUEL COCK ASSY.	PCS 1
7		3261010	QC/T 621,彩锌	CLAMP,HOSE(8)	PCS 6
8		3261012	QC/T 621,彩锌	CLAMP,HOSE(7)	PCS 2
9	QBM-44002-0000	3351003	Φ4.5*Φ8.5*900*300/210/380	FUEL HOSE(4.5×8.5)	PCS 1
10	QBM-44002-0000	3351003	Φ4.5*Φ8.5*900*300/210/380	FUEL HOSE(4.5×8.5)	PCS 1
11		3351002	Φ3.5*Φ7.5*280/120	FUEL HOSE(3.5×7.5)	PCS 1
12	QBK-44300-0000	3470531	Φ28,纸质滤芯,带护套 P	FUEL FILTER ASSY.	PCS 3
13	3470573	3470573	碳罐	LJ50QT-8M,HTG-ZV080	PCS 1
14		3470566	防倒阀	LJ250-V,BUCCANEER,管口角180度	PCS 1
15		3351003	油管460mm	FUEL HOSE (4.5×8.5)	PCS 1
16		3351002	油管150mm	FUEL HOSE (4.5×8.5)	PCS 1
17		3351002	油管340mm	FUEL HOSE (4.5×8.5)	PCS 1
18		3351002	油管260mm	FUEL HOSE (3.5×7.5)	PCS 1

08 SEAT ASSY.



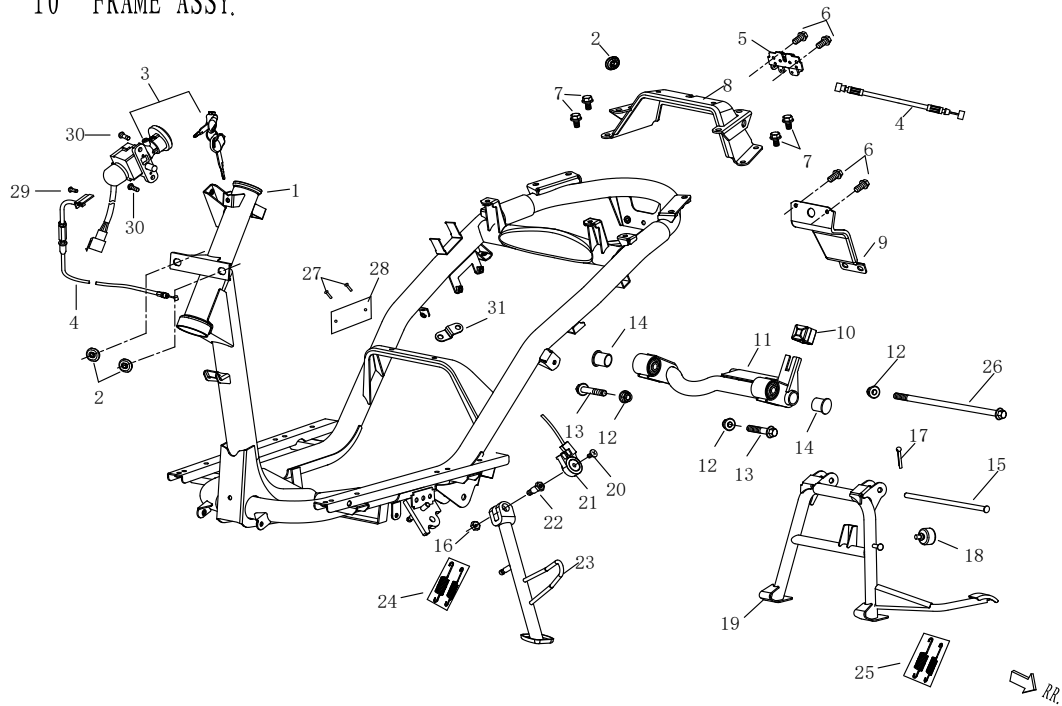
No.	Part No.	Description	Description	Unit	Qty
1	N-43100-0	3460261 A款,布纹黑30号,双红线	SEAT ASSY.	PCS	1
2		3460144 LJ50QT-8M,CHARGER	SEAT BRACKET	PCS	1
3		3238026 GB/T 6177.1,镀彩锌	NUT M6	PCS	2
4		3460145 LJ50QT-8M,CHARGER	AXES	PCS	1
5		3460206 高8mm	RUBBER	PCS	1
6	N-42001-0	3450105 LJ50QT-N,PP,黑色	LUGGAGE BOX	PCS	1
7		3230365 镀军绿	BOLT M6×16×3	PCS	6
8		3358534 LJ50QT-N	FUEL TANK RUBBER	PCS	1
9		3230700 GB/T 70.2,不锈钢,盘头18	BOLT M8×35	PCS	4
10	N-41421-0	3455062 LJ50QT-N,铝,钱江灰50638	LEFT ARMREST	PCS	1
11	N-41421-0	3455063 LJ50QT-N,铝,钱江灰50638	RIGHT ARMREST	PCS	1
12		3450066 LJ50QT-8M,PP,黑色	BOLT	PCS	1
13	TJV-42002-0000A	3450079 LJ125T-8M,PP,黑色	COVER	PCS	1

09 REAR WHEEL ASSY.



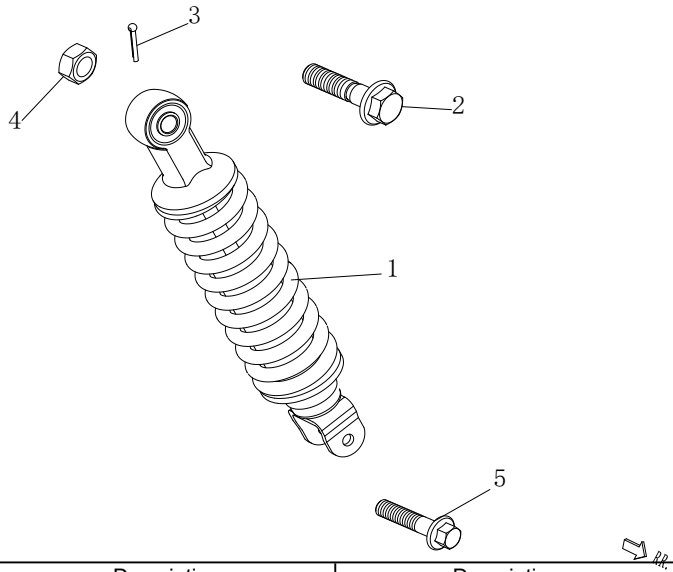
No.	Part No.	Description	Description	Unit	Qty
1	N-52001-0	3502524	真空,正新,环保,110/70-12,EEC,C922	TIRE 110/70-12	PCS 1
2	QB9-54100-0000	3500112	鼓刹,飞虎,2.5*12,黑,QB9-54100-0000	WHEEL RIM R.	PCS 1
3		2550480	LJ50QT-N,3B3,电泳黑	BRACKET REAR FENDER L.	PCS 1
4		2550479	LJ50QT-N,3B3,电泳黑	BRACKET REAR FENDER R.	PCS 1
5	QBK-54001-0000	3454034	LJ50QT-K,B88,PA+20%GF,黑色	RUBBER CAP	PCS 1
6	TBFE0809	3230061	E,GB/T 16674.1,8.8级,军绿	BOLT M6×12	PCS 5
7		3238021	GB/T 6187.2,镀军绿	NUT,M16×1.5	PCS 1
8	QBK-52020-0000	3503505	弯头	VALVE,RIM,TR412	PCS 1
9	N-42704-0	3454069	LJ50QT-N,PP,黑色		PCS 1
10	YY50QT012009	3546039	本田100,无石棉		PCS 1
11		3546017	3B1,四冲风冷50,彩锌		PCS 1
12		3546012	1B2,二冲风冷50标准机,彩锌		PCS 1
13		3230249	GB/T 5783,镀白锌		PCS 1
14		3546004	3B1,四冲风冷50,彩锌,钣金		PCS 1
			后碟刹		
15		2550038	LJ125T-16, TREVIS, 电泳黑		PCS 2
16		3500196	碟刹,飞虎,3.0*12,亚黑加亮边		PCS 1
17		3230386	镀白锌		PCS 3
18		3250020	GB/T 97.1,镀白锌		PCS 3
19		3504012	LJ50QT-6L, 3B3		PCS 1
20		3238043	GB/T 889.2,镀白锌		PCS 3
21		3250071	GB/T 956.1,镀彩锌		PCS 3
22		3541019	圆盘,本色,外径Φ193,厚4		PCS 1
23		3230383	镀军绿,QBR-56002-0000		PCS 3
24		3547219	LJ50QT-N		PCS 1
25		3547024	LJ50QT-M, F22		PCS 1
26		3547220	LJ50QT-N, 黑色, Φ19		PCS 1
27		3547221	LJ50QT-N, 编织管, 总长2000, 上72下0度		PCS 1
28		3542065	黑色, 编织管, 手柄黑, 球头Φ17		PCS 1
29		3547009	LJ50QT-K, B88, 黑漆		PCS 1
30		3547040	LJ50QT-K, B88, 单缸		PCS 1
31		3230164	GB/T 5789, 镀军绿		PCS 2

10 FRAME ASSY.



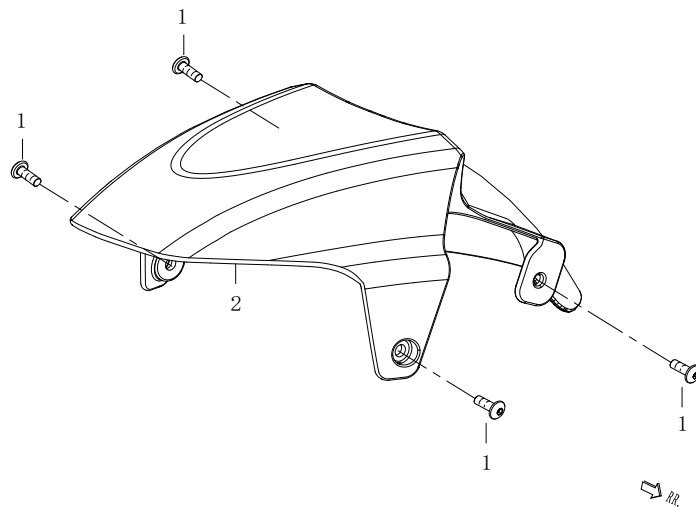
No.	Part No.	Description	Description	Unit	Qty	
1	2550473	LJ50QT-N,3B3,EEC,电泳黑	FRAME COMP. Ero 4	PCS	1	
	2550871		FRAME COMP. Euro 5			
2	3358025	PNE150ZH-3, LONGJIA 标记	RUBBER	PCS	3	
3	QBY-47110-0000	3490027	LJ50QT-8M, CHARGER, 无标识	LOCK ASSY	PCS	
		3490079	LJ50QT-8M, CHARGER, 无标识			
4	QBY-46030-0000	3481011	LJ50QT-8M, CHARGER	SEAT CABLE	PCS	1
5	QBV-47200-0000	3429007	LJ50QT-V, ESTATE	SEAT CATCH COMP.	PCS	1
6	GBT5789-M6x16	3230070	E, GB/T 16674.1, 8.8级, 军绿	BOLT M6x16	PCS	4
7	GBT5789-M8x12	3230125	E, GB/T 16674.1, 8.8级, 军绿	BOLT M8x12	PCS	4
8		2550477	LJ50QT-N, 电泳黑	CARRIER BRACKET	PCS	1
9		2550476	LJ50QT-N, 电泳黑	BRACKET REAR FENDER	PCS	1
10		3356518	LJ50QT-N	RUBBER, REAR	PCS	1
11	N-53110-0	2550475	LJ50QT-N, 3B3, 电泳黑	HANGER COMP ENGINE	PCS	1
12	QBK-54303-0000	3238004	GB/T 6187.2, 镀军绿	NUT M10x1.25	PCS	3
13		3230617	镀军绿	BOLT M10*1.25*Φ12*39	PCS	2
14		3351503	LJ150T-4, Φ20		PCS	2
15	QBK-41301-3000	3285036	LJ50QT-4M, F3, Φ8*170, 镀白锌	BOLT, ENGINE HANGER Φ8*170	PCS	1
16		3238053	GB/T 6170, 镀军绿	NUT M8	PCS	1
17		3273011	GB/T 91, 镀白锌		PCS	1
18	9M-41322-0	3358525	LJ150T-4	RUBBER	PCS	1
19	N-41320-0	2550467	LJ50QT-N, 3B3, 高210, 电泳黑	MAIN STAND COMP.	PCS	1
20		3230635	盘头16, 镀军绿	SCREW M6x16	PCS	1
21	QBC-34600-0000	3413002	圆形	CUTOFF SWITCH	PCS	1
22	QBM-41411-0000	3230371	LJ50QT-M, F22, 熄火, M8*28, QBM-41201-0000	BOLT, SIDE STAND MOUNTING	PCS	1
23	N-41220-0	2550478	LJ50QT-N, 电泳黑	SIDE STAND COMP.	PCS	1
24	QBM-41421-0033	3391502	LJ50QT-M, F22, 双弹簧, 110, 半圆180度, 电泳黑	SPRING SIDE STAND	PCS	1
25	YY50QT003004	3392003	双弹簧, 85, 电泳黑	SPRING MAIN STAND	PCS	1
26		3285072	M10*1.25, 蓝白锌	BOLT, M10x1.25x170	PCS	1
27		3274001	GB/T 12618	RIVET 3.2*9	PCS	2
28		4300053	E4, 龙嘉, 铜	FRAME BODY NO. PLATE	PCS	1
29		3230322	GB/T 818, 镀军绿	SCREW M5x10	PCS	1
30		3230612	镀军绿	SCREW M6x16	PCS	2
31		2550471	3B3, 2.0, 电泳黑	BRACKET	PCS	2

11 REAR SHOCK ABSORBER ASSY.



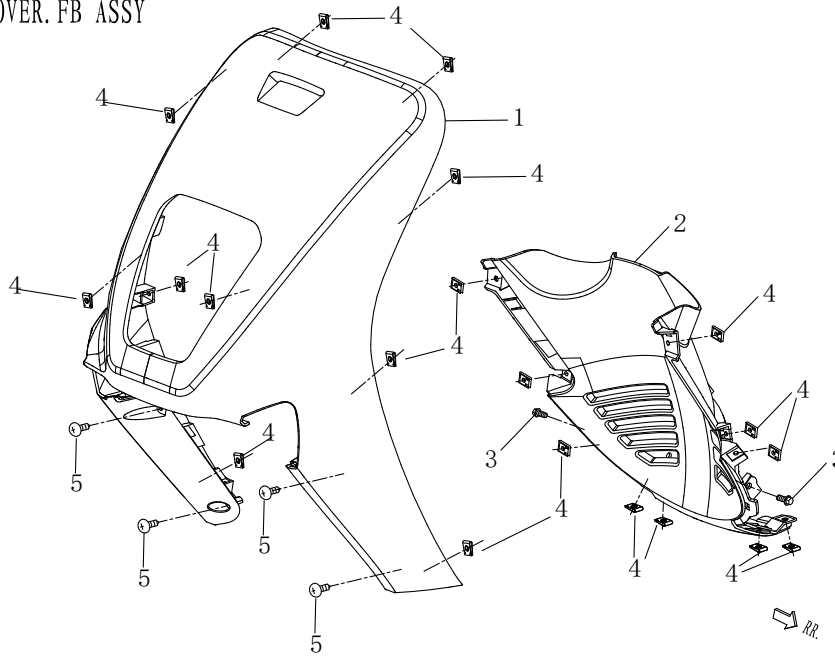
No.	Part No.	Description	Description	Unit	Qty
1	N-53200-0	3512023 星火,270,黑弹簧,镀铬,500N	RR. SHOCK ABSORBER (270MM)	PCS	1
2		3230001 GB/T 31.3,镀军绿	BOLT M10×1.25×40	PCS	1
3		3273011 GB/T 91,镀白锌	PIN 2.5×30	PCS	1
4	QBK-54303-0000	3238042 GB/T 6171,镀军绿	NUT M10×1.25	PCS	1
5		3230406 GB/T 16674.1,8.8级,镀军绿	BOLT M8×32	PCS	1

12 FRONT FENDER



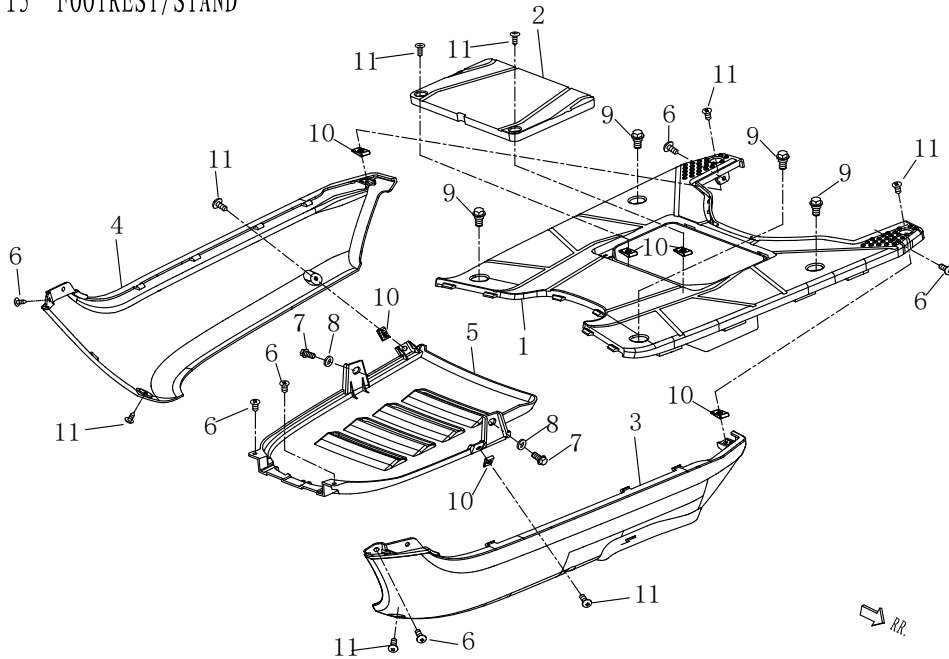
No.	Part No.	Description	Description	Unit	Qty
1		3230410 GB/T 70.2,不锈钢	SCREW M6×16	PCS	4
2	N-42101-0	3445052 LJ50QT-N,ABS	FRONT FENDER	PCS	1

14 COVER, FB ASSY



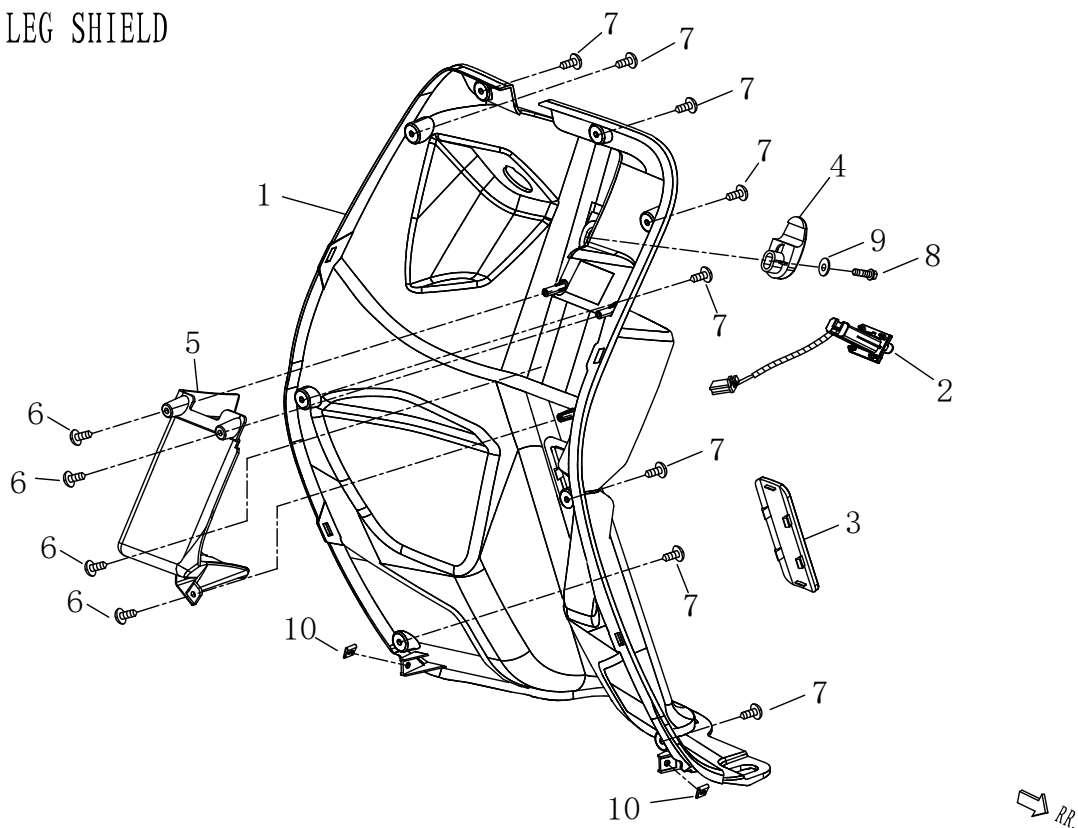
No.	Part No.	Part No.	Description	Description	Unit	Qty
1	N-42302-0	3443586	LJ50QT-N,ABS	FRONT SHIELD	PCS	1
2	N-42504-0	3447542	LJ50QT-N,PP,黑色	FRAME FENDER A	PCS	1
3		3230061	GB/T 5789,镀军绿	BOLT M6×12	PCS	2
4	9221-M4-2x18x11-A	3238060	镀军绿	SPRING NUT 4.2	PCS	20
5	9165-ST4-8x16-A	3230357	GB/T 2823,不锈钢	SCREW ST4.8×16	PCS	4

15 FOOTREST/STAND



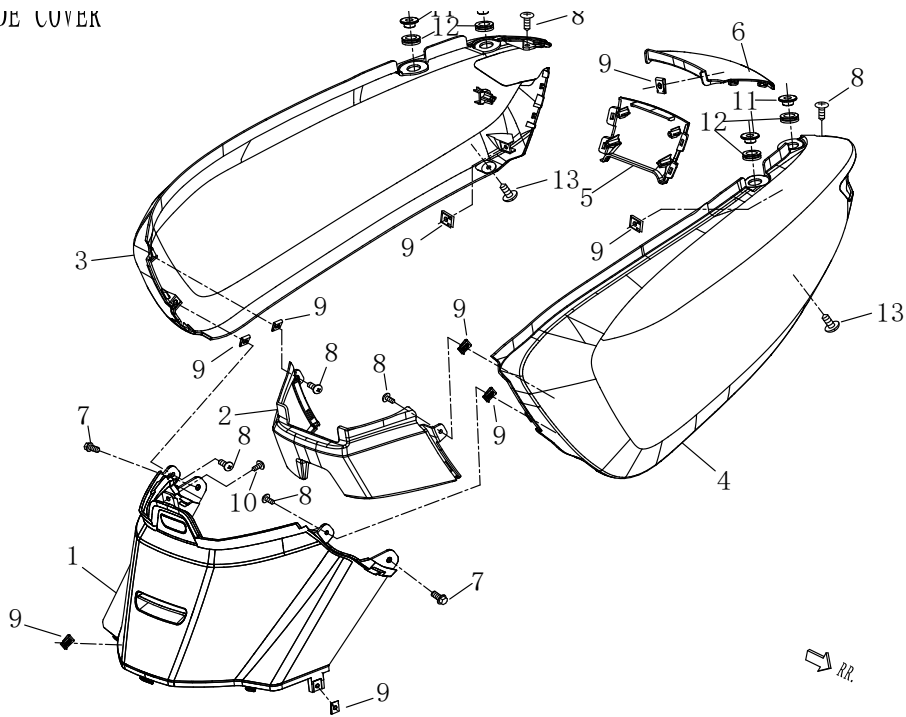
No.	Part No.	Part No.	Description	Description	Unit	Qty
1	N-42401-0	3449086	LJ50QT-N,PP,黑色	FLOOR	PCS	1
2	N-42402-0	3449087	LJ50QT-N,PP,黑色	COVER, BATTERY	PCS	1
3	N-42507-0	3449089	LJ50QT-N,ABS	LEFT SIDE COVER	PCS	1
4	N-42508-0	3449088	LJ50QT-N,ABS	RIGHT SIDE COVER	PCS	1
5	N-42505-0	3447543	LJ50QT-N,PP,黑色	UNDER COVER	PCS	1
6	9165-ST4-8x16-A	3230358	GB/T 2823,镀军绿	SCREW ST4.8×16	PCS	6
7		3230472	镀军绿	BOLT M6×12	PCS	2
8						
9		3230399	不锈钢	BOLT M6×16×3	PCS	4
10	9221-M4-2x18x11-A	3238060	镀军绿	SPRING NUT 4.2	PCS	6
11	9165-ST4-8x16-A	3230357	GB/T 2823,不锈钢	SCREW ST4.8×16	PCS	8

16 LEG SHIELD



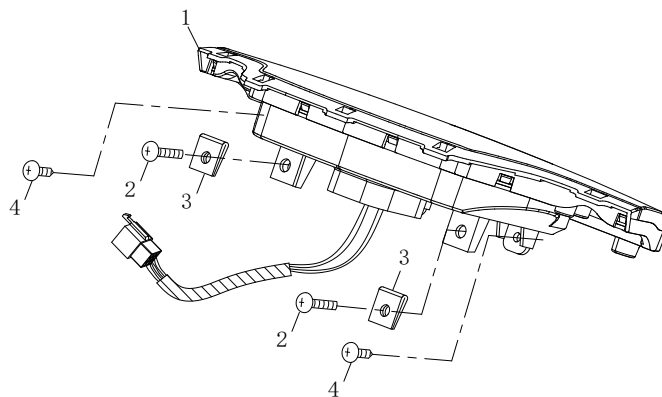
No.	Part No.	Description	Description	Unit	Qty	
1	N-42501-0	3445562	LJ50QT-N,PP,黑色	LEG SHIELD	PCS	1
2	N-3380010-0	3380010	LJ250-V,DC5V/1A,线长150	USB	PCS	1
3	N-42502-0	3446546	LJ50QT-N,PP,黑色	INSPECT COVER	PCS	1
4	QBK-42503-0000	3446512	LJ50QT-K,B88,PP,黑色	HOOK, HELMET	PCS	1
5	N-42501-5	3445561	LJ50QT-N,PP,黑色		PCS	1
6	GBT845ST4	3230352	GB/T 2823,镀军绿	SCREW ST4.2×12	PCS	4
7	9165-ST4-8x16-A	3230357	GB/T 2823,不锈钢	SCREW ST4.8×16	PCS	8
8		3230494	GB/T 70.2,不锈钢,盘头12	BOLT M6×25	PCS	1
9		3250411	GB/T 97.1,不锈钢	WASHER, SPRING (6)	PCS	1
10	9221-M4-2x18x11-A	3238060	镀军绿	SPRING NUT 4.2	PCS	2

17 SIDE COVER

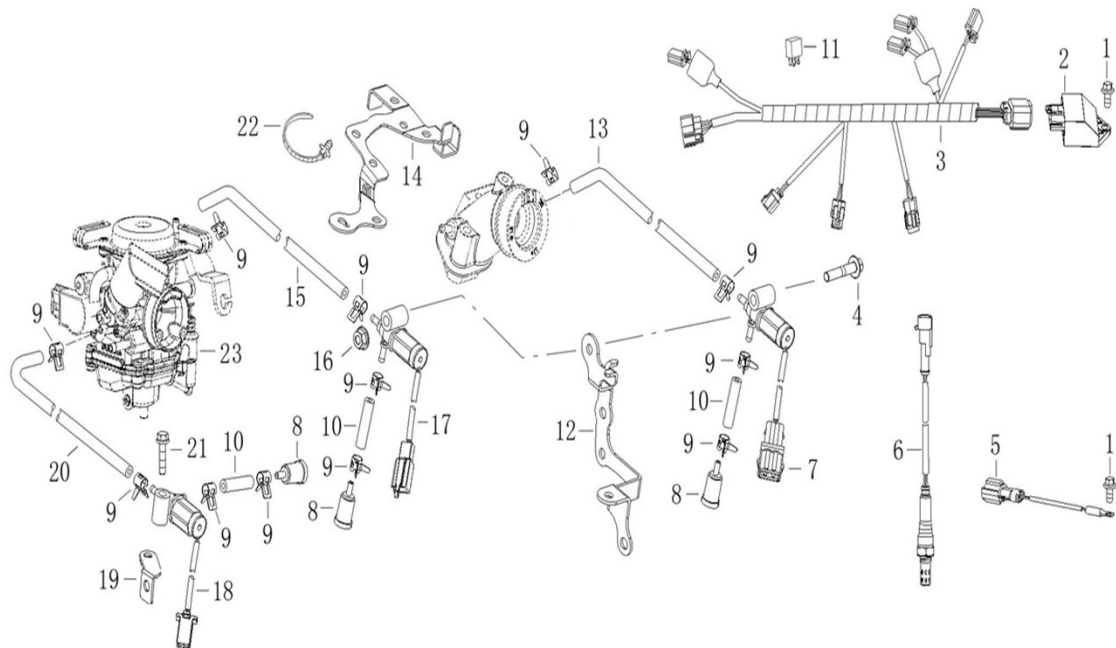


No.	Part No.	Description	Description	Unit	Qty
1	N-42603-1	3450106	LJ50QT-N,PP,黑色	MAINTAIN COVER DOWN	PCS 1
2	N-42603-2	3450107	LJ50QT-N,ABS	MAINTAIN COVER UP	PCS 1
3	N-42606-0	3451261	LJ50QT-N,ABS	COVER R.R.	PCS 1
4	N-42605-0	3451260	LJ50QT-N,ABS	COVER R.L.	PCS 1
5	N-42603-5	3453050	LJ50QT-N,ABS	CENTER COVER UP.	PCS 1
6	N-42603-6	3453051	LJ50QT-N,ABS	CENTER COVER DOWN.	PCS 1
7		3230061	GB/T 5789, 镀军绿	BOLT M6×12	PCS 2
8	9165-ST4-8x16-A	3230358	GB/T 2823, 镀军绿	SCREW ST4.8×16	PCS 6
9	9221-M4-2x18x11-A	3238060	镀军绿	SPRING NUT 4.2	PCS 9
10	GBT845ST4	3230352	GB/T 2823, 镀军绿	SCREW ST4.2×12	PCS 1
11		3287527	Φ8*Φ12*Φ20*6*8, 蓝白锌,QBY-41403-0000	ARMREST BUSH	PCS 4
12		3358503	LJ50QT-8M,CHARGER	SIDE COVER RUBBER	PCS 4
13		3230357	GB/T 2823, 不锈钢	SCREW ST4.8×16	PCS 2

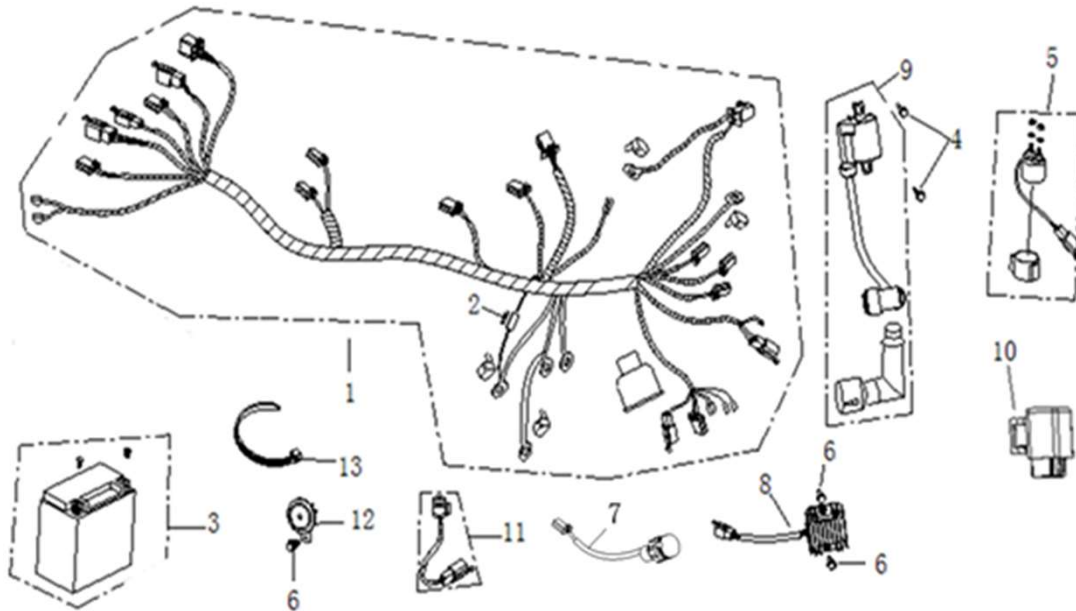
18 SPEEDOMETER



No.	Part No.	Description	Description	Unit	Qty
1	N-33100-0	3400150	80km/h50mph,电控,无APP, 无自动大灯	SPEEDOMETER A	PCS 1
		3400151	80km/h50mph,电控,无APP, 无自动大灯, 带启停指示灯	SPEEDOMETER B	PCS 1
2		3230463	GB/T 818, 镀军绿	SCREW M6×12	PCS 2
3		3238092	镀军绿	SPRING NUT 6	PCS 2
4	GBT845ST4	3230352	GB/T 2823, 镀军绿	SCREW ST4.2×12	PCS 2



序号	件号	规格	英文名称	Unit	Qty	
Ref No	Part No	Description	Description	Unit	Qct	
1	3230058	GB/T 16674. 1, 镀军绿	FLANGE BOLT M6*12	PCS	2	
2	2170008	2170008	ECU euro4	LJ50QT-V,德洛托,电控化油器	PCS	1
		2170050	德洛托, 电控化油器ECU, 欧五, 25KM	ECU, 25KM	PCS	1
		2170046	2170046	德洛托, 电控化油器ECU, 欧五, 45KM	ECU, 45KM Euro5	PCS
3	N-31100-2	3370295	LJ50QT-N, 电控	WIRE HARNESS ASSY.2 euro4	PCS	1
	9M-31100-3	3370448	LJ50QT-9M, 3B3, 电控化油器,欧五	WIRE EURO 5	PCS	1
4		3220035	E, GB/T 16674. 1, 8. 8级, 军绿	FLANGE BOLT M6*45	PCS	1
5	S-20-A-8002	3158151	德洛托,欧五,3B3电控专用,图号:S-20-A-8002,带卡扣;	CYLINDER TEMPERATURE SENSOR	PCS	1
6	3158121	3158121	欧五, 加热型, 电控, 带卡扣	OMS	PCS	1
	3158055	3158055	LJ50QT-V, 非加热式, 德洛托	o2 sensor		
7	12503	3158013	LJ50QT-V,德洛托	SOLENOIDVALVE euro4	PCS	2
		3158120	3158120	德洛托, 欧五, 标签:AUX-3	SOLENOID VALVE 3 euro 5	PCS
8		3158014	LJ50QT-V, 德洛托	SOLENOID VALVE FILTER	PCS	3
9		3261012	QC/T 621, 彩锌	STRIP CLIP, 7	PCS	12
10		3351002	Φ3.5*Φ7.5*30	FUEL TUBE, Φ3. 5*Φ7. 5	PCS	3
11	7B1-35300-18	3378508	KH-1A4T, 12V, DC/G8HN-1A4T-RH, 12V DC, 35A	RELAY	PCS	1
12		2550890	3B3, 2. 0, 电泳黑	BRACKET, SOLENOID VALVE	PCS	1
13		3351002	Φ3.5*Φ7.5*150	FUEL TUBE, Φ3. 5*Φ7. 5	PCS	1
14		2550888	3B3, 1. 5, 电泳黑	BRACKET	PCS	1
15		3351002	Φ3.5*Φ7.5*110	FUEL TUBE, Φ3. 5*Φ7. 5	PCS	1
16		3238027	GB/T 6177. 1, 镀军绿	FLANGE NUT, M6	PCS	1
17	3158150	3158150	德洛托, 欧五, 标签:IDLE-2	SOLENOID VALVE 2	PCS	1
18	3158119	3158119	德洛托, 欧五, 标签:MAIN-1	SOLENOID VALVE 1	PCS	1
19		2550846	LJ50QT-2V, ESTATE, 电泳黑	BRACKET	PCS	1
20		3351002	Φ3.5*Φ7.5*130	FUEL TUBE, Φ3. 5*Φ7. 5	PCS	1
21		3230087	GB/T 5789, 镀军绿	FLANGE BOLT M6*25	PCS	1
23	3B3-23100-0	3152059	德洛托, 3B3/25, 欧五	CARBUTETOR 45KM euro 4	PCS	1
		3152083	德洛托, 3B3/45, 欧五	CARBUTETOR 45KM euro 5	PCS	1



序号		件号	英文名称	规格	Unit	Qty
Ref No		Part No	Description	Description	Unit	Qty
1	N-33100-1	3370289	LJ50QT-N, 电控	WIRE HARNESS ASSY. EURO 4	PCS	1
		3370476	LJ50QT-N,3B3,	WIRE HARNESS ASSY. EURO 5	PCS	1
2		3370104		FUSE 10A, 250V	PCS	1
3	YTX7A-BS	3379519	古越, MF-7A, 免维护	BATTERY ASSY	PCS	1
3		3379521	海久, HTX7A-BS, 免维护	BATTERY ASSY	PCS	1
3		3379535	古越, YTX7A, 胶体	BATTERY ASSY	PCS	1
4		3230077	镀军绿	SCREW M6×20	PCS	2
5	7B1-35300-0000	3378505	50四冲水冷	STARTER RELAY COMP, ASSY	PCS	1
6		3230061	镀军绿	SCREW M6×12	PCS	3
7		3380009		USB JACKS	PCS	1
8	N-36100-0	3379022	3B3,四冲50风冷,8	REGULATOR EURO4	PCS	1
	9A-36100-0	3379020	ZS152FMI-5,电喷,6线,大灯常亮	REGULATOR EURO5	PCS	1
9	5L-35200-0	3378022	3B1, 电控化油器	IGNITION COIL	PCS	1
9		2330019	电控化油器, 刻agn	IGNITION COIL	PCS	1
9		2330020	电控化油器, 刻TURBHO	IGNITION COIL	PCS	1
10	N-3383001-0	3383001		CONTROLLER, HEAD LIGHT	PCS	1
11	N-32800-0	3376512	0.7W+0.8W+0W,双频,三线	FLASHER	PCS	1
12	TJ7F2909	3375501	E4-000113	HORN	PCS	1
13		4415001		BAND 250MM	PCS	10