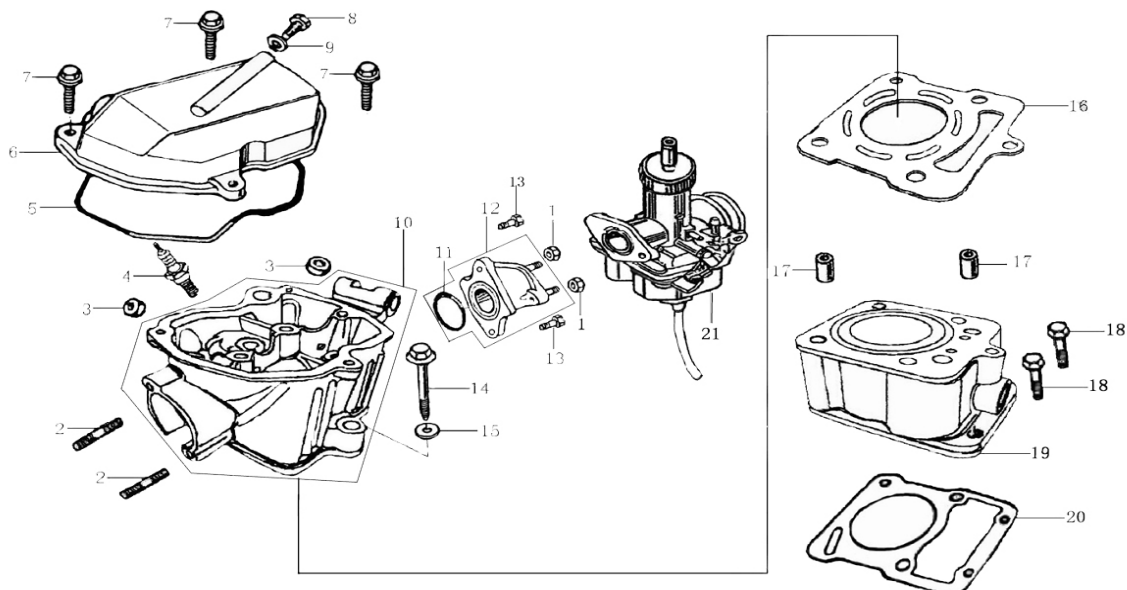
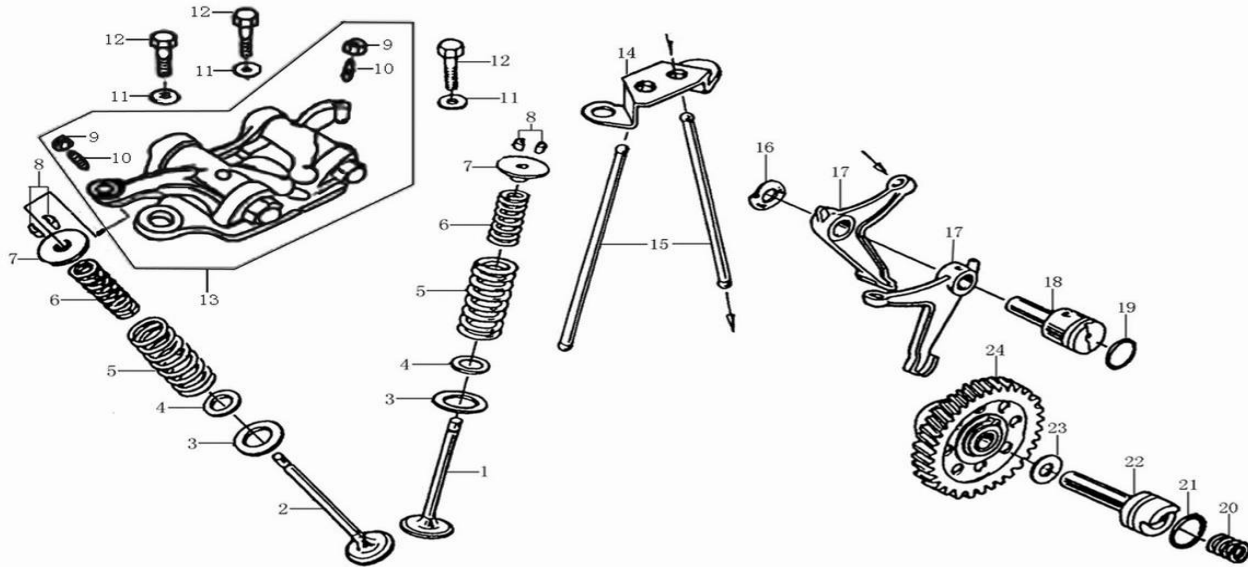


ENGINE PARTS

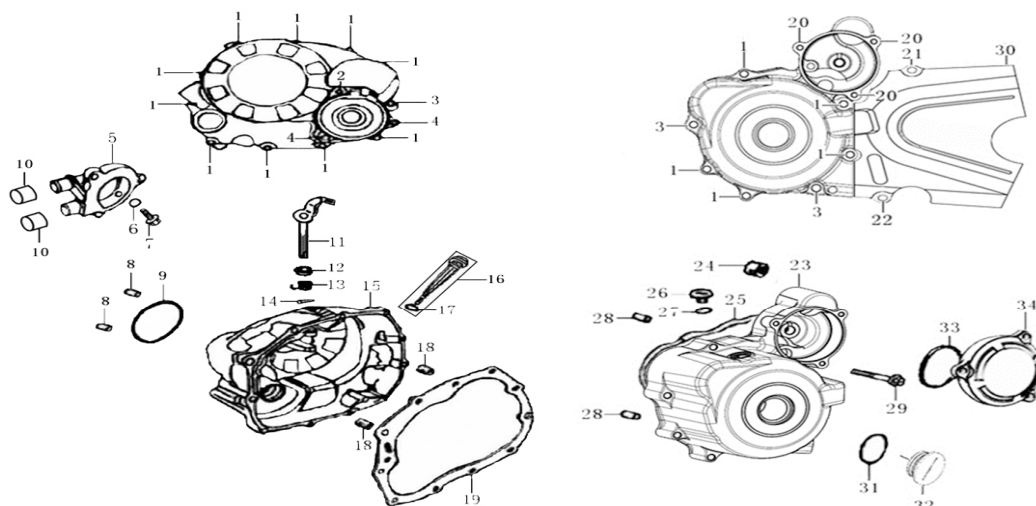


气缸头部件/气缸体部件CYLINDER HEAD ASSY/CYLINDER ASSEMBLY

S/N	our part no.	Part No.	Description	Part name	Qty.
1		100011421-0003	NUT 6	GB6170螺母M6(兰白锌)	2
2	91138-I008-0000	100100438-0002	BOLT M8×38	CG125D缸头排气口双头螺栓M8×38(兰白锌)	2
3	1572B-I008-0000	100105336	SEAL, VALVE STEM	CG125D挡油罩组合	2
4	A9008	100104137	SPARK PLUG DR8ES	CB125脚火花塞部件(D8TC)	1
5	90103-LA51-0000	100208451	SEAL RING OF UPPER COVER	SB200气缸头上盖密封圈	1
6	11226-LA73-0000	100205622-0012	UPPER COVER, CYLINDER HEAD	CG200-A水冷缸头上盖(8806)	1
	11226-LA73-0000				
	11226-LA73-0000A				
7		100011269-0003	BOLT M6×28	GB5789螺栓M6×28(兰白锌 8.8级)	3
8		100011261-0004	BOLT M6×12	GB5789螺栓M6×12(兰白锌)	1
9		100106538	WASHER 6.5×1.5×13	平垫圈(φ6.2×1.5×φ13 铝)	1
10	1122B-LA73-0001	100208221-0007	CYLINDER HEAD ASSY	CG250水冷气缸头组合(M8 58 环保II代外形_8806)	1
11		100107759	O-RING 33.5×3	O型圈(φ33.5×3 氟硅胶)	1
12	15800-L044-0041	100105352	INLET PIPE	CB200进气管(JQ-41 自带双头螺栓26mm)	1
13		100011174-0004	BOLT M6×20	GB5783螺栓M6×20(兰白锌)	2
14		100100340-0006	BOLT M8×86	CG250缸头缸体螺栓M8×86(兰白锌)	1
15		100106576	WASHER 8.5×2×18	平垫圈(φ8.5×2×φ18)	1
16	9022K-LA73-0000	100104627	GASKET ASSY,CYLINDER HEAD	SB200气缸头密封垫组合(金属)	1
17	100031687	100031687	PIN 10×20	定位销φ10×20	2
18		100011268-0003	BOLT M6×25	GB5789螺栓M6×25(兰白锌)	2
19	1110B-LA73-0000-S11	100108539-0009	CYLINDER BLOCK ASSEMBLY	CG250水冷气缸体部件(缸标250 8806)	1
20	9022K-LA73-0000	100051205	GASKET,CYLINDER BLOCK	SB250海啸气缸体密封垫	1
21	161000-006	100300217	CARBURETOR	CG250水冷化油器(PZ30 手动无泵)	1

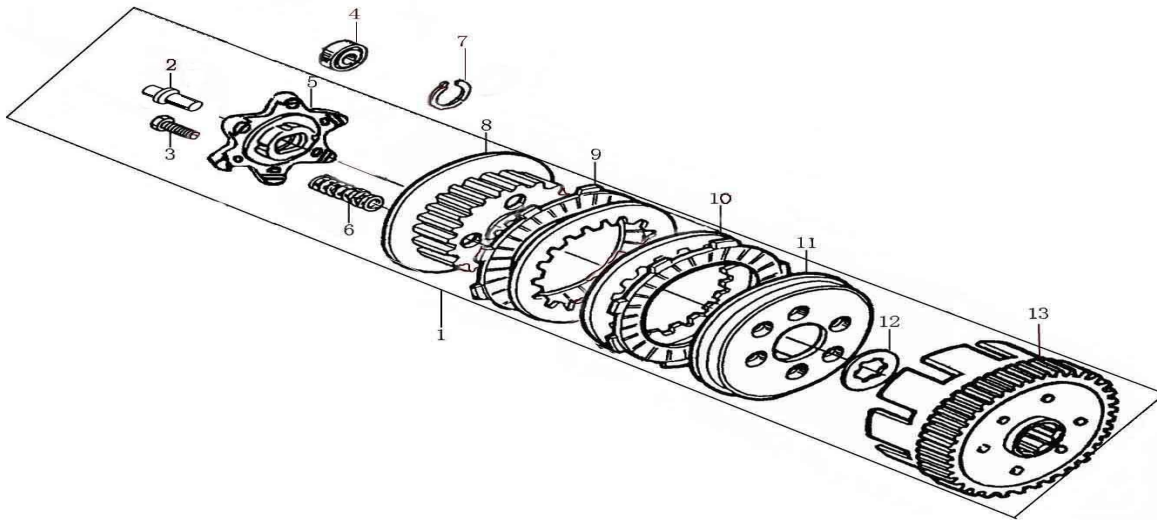


S/N	Part No.	Description	Part name	Qty.	
1	100108483	INTAKE VALVE	CB200-A油冷进气门(高频淬火)	1	
2	100077122	EXHAUST VALVE	油冷排气门	1	
3	100105315	OUTER VALVE SPRING RETAINER	CG125D气门外弹簧座圈(下)	2	
4	100105325	SPRING SEAT	CG125D气门内弹簧座圈(下)	2	
5	100105292	VALVE OUTER SPRING	CG125D气门外弹簧	2	
6	100105301	VALVE INNER SPRING	CG125D气门内弹簧	2	
7	100105308	SPRING SEAT	CG125D气门弹簧座(上)	2	
8	100050896	VALVE LOCKER	CG125D气门锁夹(改进型)	4	
9	104415-007	100105158	NUT, VALVE CLEARANCE	CB125脚气门间隙调节螺母	2
10	104415-007	100105169	SCREW, VALVE CLEARANCE	CG125D气门间隙调节螺钉	2
11		100106359	WASHER 8.5×2×18	平垫圈(φ8.5×2×φ18)	3
12		100100483	BOLT M8×33	SB125上摇臂螺栓M8×33	3
13	1540A-IA20-0000A	100105182	ROCKER ARM ASSEMBLY, VALVE	SB125气门上摇臂组合	1
14	15501-LA73	0104105-0007	PUSH LEVER STAND		
15	104120-008	100105079	ALUMINUM ALLOY PUSH ROD ASSEMBLY	CG250水冷推杆组合	2
16		100106645	WAVE WASHER 12.3×0.2×20.9	波形弹性垫圈	1
17		100105172	LOWER ROCKER ARM	CG125D下摇臂	2
18		100105175	SHAFT, LOWER ROCKER ARM	CG125D下摇臂轴(3#)	1
19		100107690	O-RING 18×2.5	O型圈(φ18×2.5 氟硅胶)	1
20	15105-J034	100104988	SPRING	CG125D配气凸轮轴弹簧	1
21	90101-20200000250	100107704	O-RING 20×2.5	O型圈(φ20×2.5 氟硅胶)	1
22	15105-J034	100052427	AIR MLET CAM SHAFT	CG150D配气凸轮芯轴(5#)	1
23		100106407	WASHER 14.2×1×24	平垫圈(φ14.2×1×φ24)	1
24	1510A-I008	100104989	NG DRIVEN SPROCKET COMP	CG125D正时从动齿部件	1



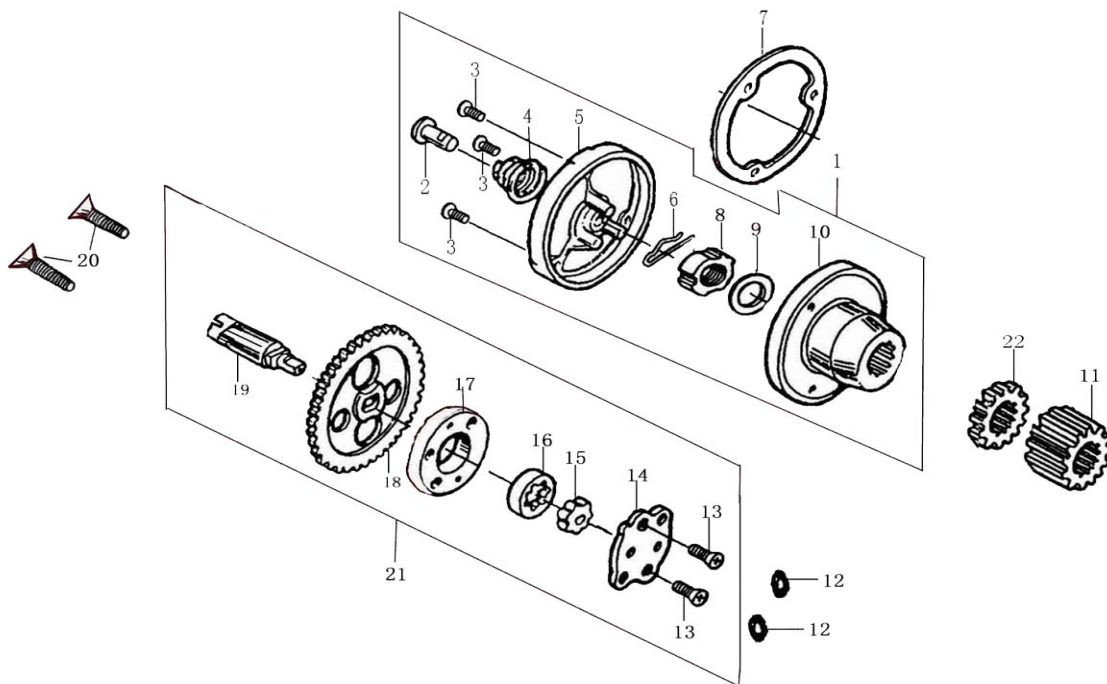
曲轴箱盖 CRANKCASE COVER

S/N	Part No.	Description	Part name	Qty.	
1	100011538-0003	BOLT M6×40	GB16674小盘螺栓M6×40(兰白锌)	15	
2	100055589-0006	BOLT M6×16	GB16674小盘螺栓M6×16(兰白锌)	1	
3	100011540-0007	BOLT M6×50	GB16674小盘螺栓M6×50(兰白锌)	3	
4	100011534-0002	BOLT M6×25	GB16674小盘螺栓M6×25(兰白锌)	2	
5	19001-1A20-0003	100105510-0016	WATER PUMP COVER	SB125水泵盖(水嘴外径φ14.5 带放水螺栓)	1
6		100107836	O-RING 8×1.8	O型圈(φ8×1.8 氟橡胶)	1
7		100100432-0007	BOLT M8×10	SB125水泵盖放水螺栓M8×10(兰白锌)	1
8	116108-015	100100867	PIN 8×12×6.3	定位销φ8×12×φ6.3	2
9	19001-1A20-0003	100107812	O-RING 63×2.65	O型圈(φ63×2.65 氟橡胶)	1
10		100201333	DUST BUSH	CG125D空气泵进气口防尘胶套	2
11	2242A-I006	100203152-0005	CONTROLLING ARM ASSEMBLY, CLUTCH	CB125脚离合器操纵臂组合(3# 油封密封)	1
12	100104754	100104754	OIL SEAL 12×22×5	CB125脚离合器操纵臂油封(12×22×5)	1
13		100103443	CLUTCH CONTROLLING ARM SPRING	CB125脚离合器操纵臂弹簧	1
14		100100636-0001	CLUTCH LEVER PIN	CB125脚操纵臂卡销(发黑)	1
15		100103151-0154	COVER COMP. RIGHT CRANKCASE	SB125右盖组合	1
16	14301-I006	100104887	OIL RULER ASSY	CB125脚机油尺组合(整体式 白板 本色)	1
17	14301-I006	100031573	O-RING 18×3	O型圈(φ18×3 丁腈胶)	1
18	YYGY0500602	100100868	PIN 8×14×6.3	定位销φ8×14×φ6.3	2
19	90206-I008-0000	100104571	GASKET, R.CRANKCASE COVER	CG125D右曲轴箱盖密封垫	1
20		100055588-0006	BOLT M6×20	GB16674小盘螺栓M6×20(兰白锌)	3
21		100011536-0002	BOLT M6×30	GB16674小盘螺栓M6×30(兰白锌)	1
22		100011538-0003	BOLT M6×40	GB16674小盘螺栓M6×40(兰白锌)	1
23	12301-I008-0000A	100102789-0031	FRONT PART, L.CRANKCASE COVER	CG125D左盖(旋风款 ZONGSHEN 8805)	1
24	100101202	100101202	BEARING	CG125D含油轴承(铁基)	1
25	90204-I008-0000	100104546	GASKET, L.CRANKCASE COVER	CG125D左曲轴箱前盖密封垫	1
26	12303-	100103059-0025	CAP, SMALL VIEW HOLE	C100小视孔盖(8805)	1
27	100010074	100010074	O-RING 13.2×2.65	O型圈(φ13.2×2.65 丁腈胶)	1
28	116108	100010557	PIN 10×14	定位销φ10×14	2
29		100011534-0002	BOLT M6×25	GB16674小盘螺栓M6×25(兰白锌)	1
30	100018-001	100202338-0009	BACK PART, L.CRANKCASE COVER	CG125D左后盖(CG125D-旋风改-1# 8805)	1
31	12307-I008-1000C	100107731	O-RING 27.4×2.65	O型圈(φ27.4×2.65 丁腈胶)	1
32	12307-I008-1000C	100103062-0024	Cap Big View Hole	C100大视孔盖(8805)	1
33	12308-I008-1000	100107808	O-RING 62×3	O型圈(φ62×3 丁腈胶)	1
34	12308-I008-1000	100100005-0019	COVER,REDUCTION GEAR	CG125D双联齿轮盖(威风款 白板 8805)	1



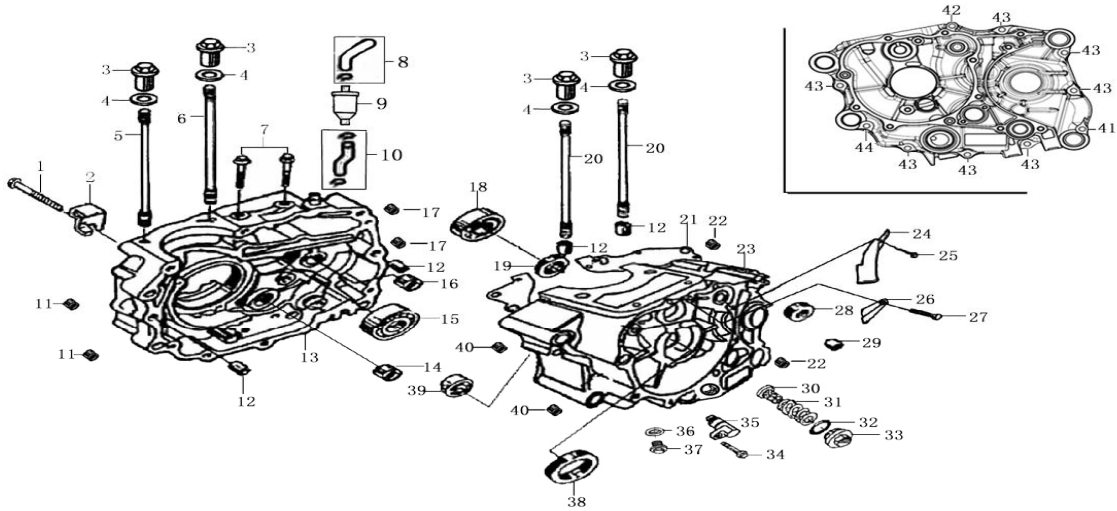
离合器 CLUTCH

S/N		Part No.	Description	Part name	Qty.
1	22000-LA73-0100-S11	100202871	CLUTCH ASSY	CG250离合器总成	1
2		100103436	PUSHING ROD, CLUTCH	CB125脚离合器推杆	1
3		100100429-0002	BOLT M5×20	CG150D离合器法兰盘螺栓M5×20(彩锌)	6
4	100010690	100010690	BEARING (16003)	轴承(16003)	1
5		100103373	END COVER, CLUTCH	CG200D-B离合器端盖	1
6		100050122	SPRING, CLUTCH	CB250离合器弹簧	6
7	100100601	100100601	ELASTIC CHECK RING	CG125D离合器挡圈(φ20)	1
8		100050124	CENTER SLEEVE, CLUTCH	CG200-A水冷离合器中心套(3#)	1
9		100050121	DRIVE FRICTION DISK	CG200-A水冷离合器主动摩擦片	7
10		100103422	OUTER FRICTION DISK A	CG150D离合器从动摩擦片(六柱)	6
11		100050125	PRESSURE PLATE, CLUTCH	CG200-A水冷离合器压盘	1
12		100103341	WASHER	CB125脚离合器花键垫圈	1
13		100203008	OUT CASE ASSEMBLY, CLUTCH	CG250离合器外罩组合	1



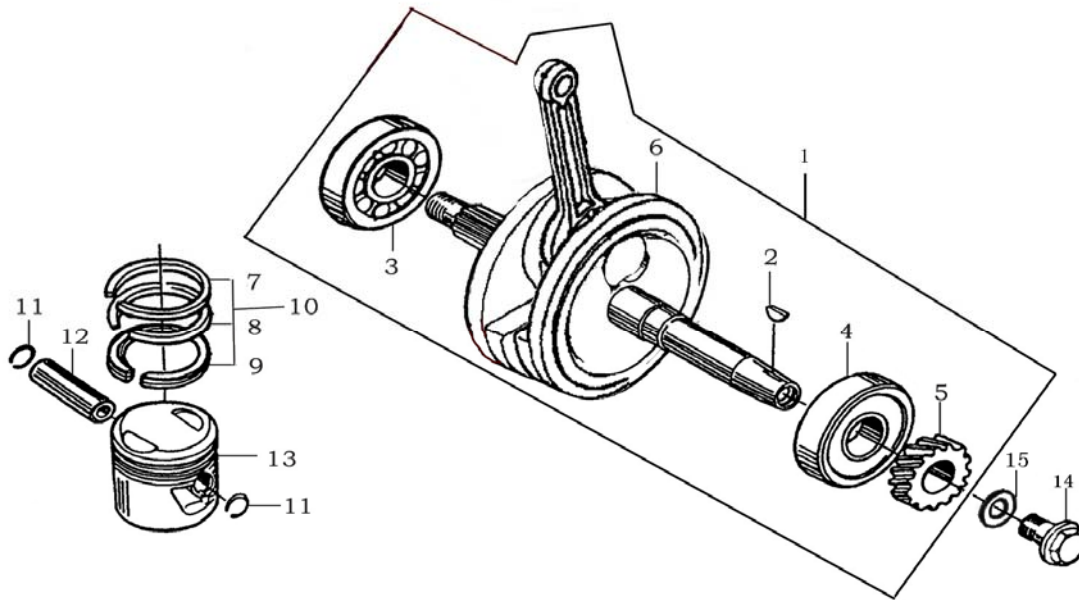
机油泵部件/机油滤清器部件 OIL PUMP/OIL FILTER

S/N	Part No.	Description	Part name	Qty.	
1	14200-1A20-0000	100200006	OIL FILTER,COMP	SB125机油滤清器部件(2#)	1
2		100104843	OIL PIPE	CB125脚机油滤清器出油管	1
3		100010969-0001	SCREW M5×12	GB819.1螺钉M5×12(兰白锌)	3
4		100104844	SPRING, OIL PIPE	CB125脚机油滤清器出油管弹簧	1
5		100104849-0001	OIL FILTER COVER	SB125机油滤清器盖(抛丸钝化)	1
6		100104850	OPEN PIN	CB125脚机油滤清器开口销	1
7	14200-1A20-0000	100104600	GASKET, OIL FILTER	SB125滤清器端盖密封垫	1
8	91203-1008-0000	100100524	NUT	SB125机油滤清器螺母	1
9		100103345	DISH WASHER, CLUTCH	CB125脚离合器碟形垫圈(16.5×2×27)	1
10		100200018	ROTOR ASS. OF OIL FILTER	SB125机油滤清器转子组件(2#)	1
11	23101-1006-0000B	100103503	PRIMARY DRIVE GEAR	CG200-A水冷主动齿轮(低噪音专用 18齿)	1
12	90101-10094000240	100107842	O-RING 9.4×2.4	O型圈(φ9.4×2.4 丁腈胶)	2
13		100031824-0002	SCREW M4×12	GB819.1螺钉M4×12(兰白锌)	2
14		100051522	OIL PUMP COVER	CB125脚机油泵盖板(电感式)	1
15		100051528	INNER ROTOR, OIL PUMP	CG200-A水冷机油泵内转子	1
16		100051527	OUTER ROTOR, OIL PUMP	CG200-A水冷机油泵外转子	1
17		100051524	OIL PUMP BODY	CG200-A水冷机油泵体	1
18		100051523	OIL PUMP GEAR ASS.	CG200-A水冷机油泵齿轮组合	1
19		100051529	SHAFT,OIL PUMP	CG200-A水冷机油泵油泵轴	1
20		100010974-0001	SCREW M6×30	GB819.1螺钉M6×30(兰白锌)	2
21	14100-LA73-0000	100100069	OIL PUMP ASSY	CG200-A水冷机油泵部件(37齿)	1
22	100073951	100073951	DRIVE GEAR,OIL PUMP	SB250海啸机油泵驱动齿轮(21齿 粉末冶金)	1



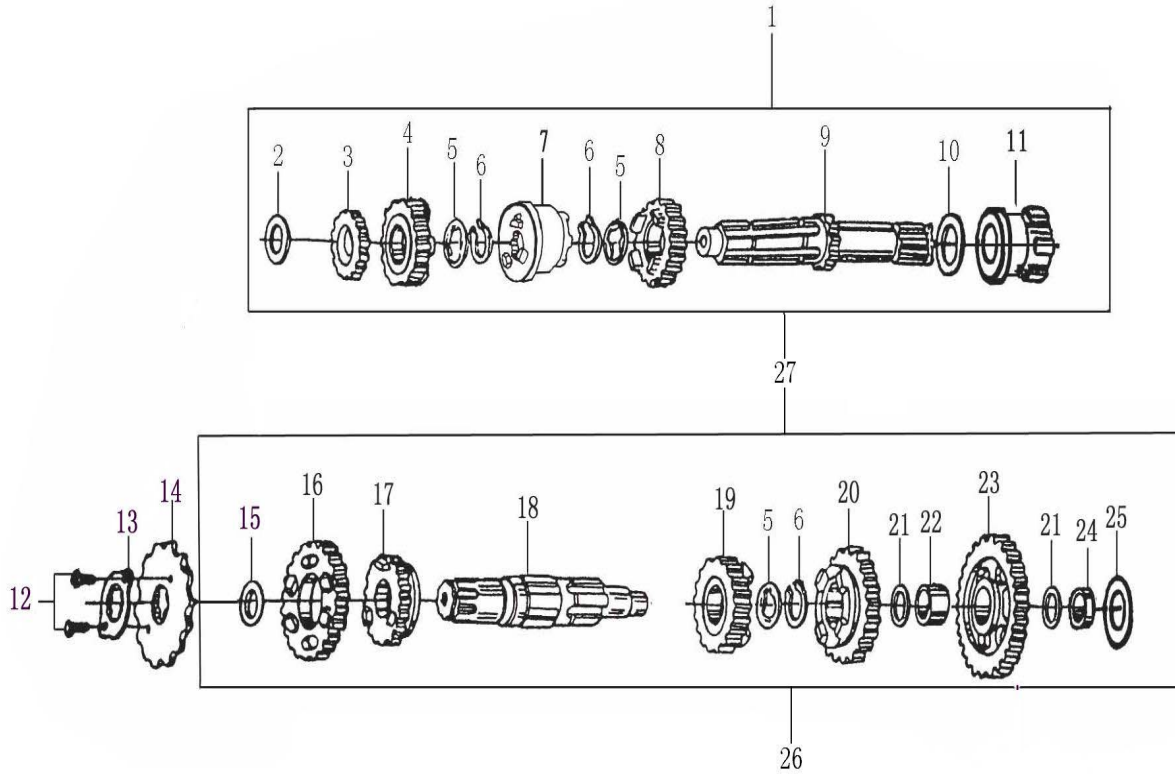
曲轴箱 CRANKCASE

1		100011543-0001	BOLT M6×65	GB16674小盘螺栓M6×65(兰白锌)	1
2	22422-1006	100106281-0006	HOLDER,CLUTCH CABLE	CB125脚离合器钢索支架(2# 兰白锌)	1
3		100100532-0001	NUT	CG125D气缸头AB栓长螺母M8×32	4
4		100106609	WASHER 12.5×2×22	平垫圈(φ12.5×2×φ22 白锌)	4
5	91101-LA66-0200	100100264	CYLINDER STUD BOLT A	CG200-A气缸双头螺栓A	1
6	101103-028	100100263	CYLINDER STUD BOLT A	CG200-A气缸双头螺栓A	1
7		100011269-0003	BOLT M6×28	GB5789螺栓M6×28(兰白锌 8.8级)	2
8		100206023	PIPE ASSY	SB250海啸通气管组件	1
9	162100-001A	100206039	SEPARATOR OIL AIR FILTER	CG250油气分离器(两通)	1
10		100056114	PIPE ASSY	CG250通气管组件(6# 编织管 卡箍2个)	1
11		100107409	ABSORBER SLEEVE	CG200-A水冷右体前挂机减震套	2
12	116108	100010557	PIN 10×14	定位销φ10×14	4
13	1222B-JZ02-0000A	100206157-0011	RIGHT CRANKCASE BLOCK	CG250水冷电倒档右曲轴箱组合	1
14	100101062	100101062	BEARING (HK212810)	轴承(HK21×28×10 滚针)	1
15	92102-00000006006	100010672	BEARING (6006)	轴承(6006)	1
16	100101073	100101073	BEARING (NK15×27×12)	轴承(NK15×27×12 滚针)	1
17		100107406	ABSORBER SLEEVE	CG200-A水冷右体后挂机减震套	2
18	100010679	100010679	BEARING (6204)	轴承(6204)	1
19	90303-I006-0000	100104700	OIL SEAL 20×34×7	CB125脚副轴油封	1
20	91102-LA66-0200	100100316	CYLINDER STUD BOLT B	CG200-A气缸双头螺栓B	2
21	90208-LA73-0001	100208714	GASKET,CRANKCASE	CG200-A水冷曲轴箱密封垫	1
22		100107412	ABSORBER SLEEVE	CG200-A水冷左体后挂机减震套	2
23	1212B-JZ02-0000B	100205955-0007	LEFT CRANKCASE BLOCK	CG250水冷电倒档左曲轴箱组合	1
24	12103-i008-	100102901	POSITION PLATE	CG125D挡线片	1
25		100055591-0006	BOLT M6×12	GB16674小盘螺栓M6×12(兰白锌)	1
26	15108-i008-	100104985	STOP PLATE, CAMSHAFT	CG125D凸轮轴挡板	1
27		100011171-0002	BOLT M6×12	GB5783螺栓M6×12(兰白锌)	1
28	100104650	100104650	OIL-SEAL 14×28×7	CB125脚换挡臂油封	1
29	92102-i008-	100101202	BEARING	CG125D含油轴承(铁基)	1
30		100104943	STRAINER,OIL FILTER	CB125脚机油过滤网组合	1
31		100104866	SPRING,OIL FILTER STRAINER	CB125脚机油过滤网弹簧	1
32	11230-i006-0000	100107766	O-RING 35×3	O型圈(φ35×3 氟硅胶)	1
33		100102871-0002	COVER, VALVE CHAMBER	CB125脚气门室盖(抛丸钝化)	1
34		100011534-0002	BOLT M6×25	GB16674小盘螺栓M6×25(兰白锌)	1
35	1213B-I008	100052295	PRESSING PIN BODY ASSY	CG250压销体组合	1
36	100106548	100106548	WASHER 12.1×2×20	平垫圈(φ12.1×2×φ20)	1
37	91103-0002-0000	100100331-0006	OIL DRAIN PLUG	CG125D放油螺塞(兰白锌)	1
38	90302-I008-0000	100104671	OIL-SEAL 34×50×7	CG125D曲轴油封(34×50×7 丁腈胶)	1
39	100101222	100101222	BEARING (6202Z)	轴承(6202Z)	1
40		100107414	ABSORBER SLEEVE	CG200-A水冷左体前挂机减震套	2
41		100031959-0007	BOLT M6×70	GB16674小盘螺栓M6×70(兰白锌)	1
42		100011545-0001	BOLT M6×100	GB16674小盘螺栓M6×100(兰白锌)	1
43		100011540-0007	BOLT M6×50	GB16674小盘螺栓M6×50(兰白锌)	7
44		100011542-0001	BOLT M6×60	GB16674小盘螺栓M6×60(兰白锌)	1



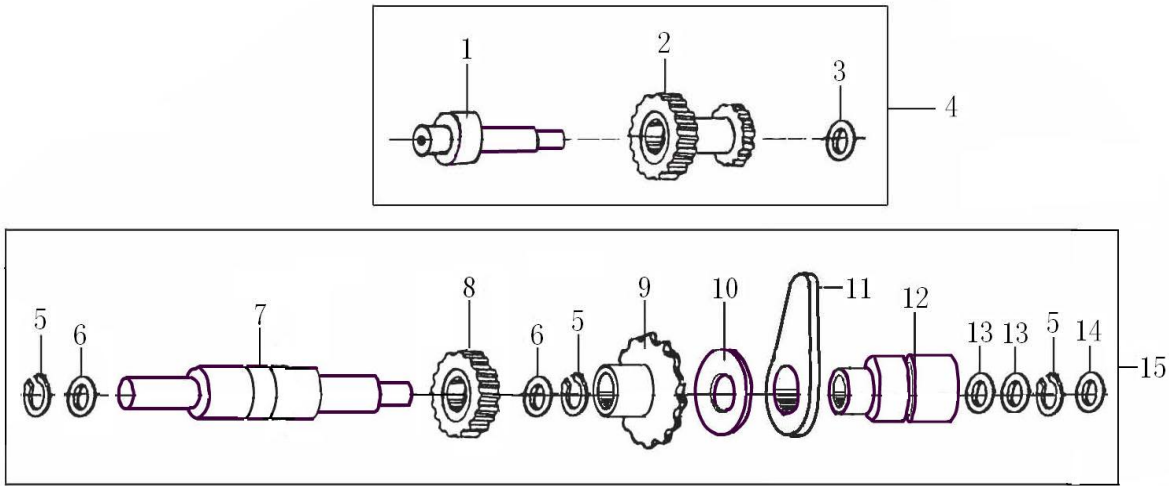
曲轴连杆部件/活塞
CRANKSHAFT CONNECTING-ROD ASSY/PISTON

S/N		Part No.	Description	Part name	Qty.
1	1320B-LA73-	100207008	CRANKSHAFT CONNECTING-ROD ASSY	CG250水冷曲轴连杆部件(3# 立多禄KU324118)	1
2	100100643	100100643	SEMICIRCULAR KEY	CG125D半圆键(25×14×4)	1
3	100101112	100101112	BEARING (63/28X1P5)	轴承(63/28X1 P5)	1
4	100101109	100101109	BEARING (63/28-1RS)	轴承(63/28 1RS)	1
5	13222-I008-	100101958	HUB DUMP CHAIN SPROCKET	CG125D正时主动齿轮	1
6		100042012	CONNECTING ROD COMP 3	CG250水冷曲轴连杆组合(3# 立多禄KU324118_无轴承_无主动齿_无半圆键)	1
7		100066511	PISTON RING 1	LY200活塞环一(镀铬)	1
8	1310A-LA66-0300-S11	100206459	PISTON RING 2	LY200活塞环二	1
9		100206517	OIL RING ASSY	LY200油环组合	1
10		100101645	PISTON RING COMP	LY200活塞环总成(一环镀铬)	1
11		100100587	CHECK RING, PISTON PIN	LY200活塞销挡圈	2
12		100101533	PIN PISTON	SB200活塞销	1
13	13101-LA66-0200-S11	100101474	PISTON	CG250活塞(微弧氧化)	1
14	91106-I008-0000	100050578	BOLT M10×36	CG125D磁电机安装螺栓M10×36	1
15		100053900	WASHER 10.5×2.5×24	平垫圈(φ10.5×2.5×φ24)	1



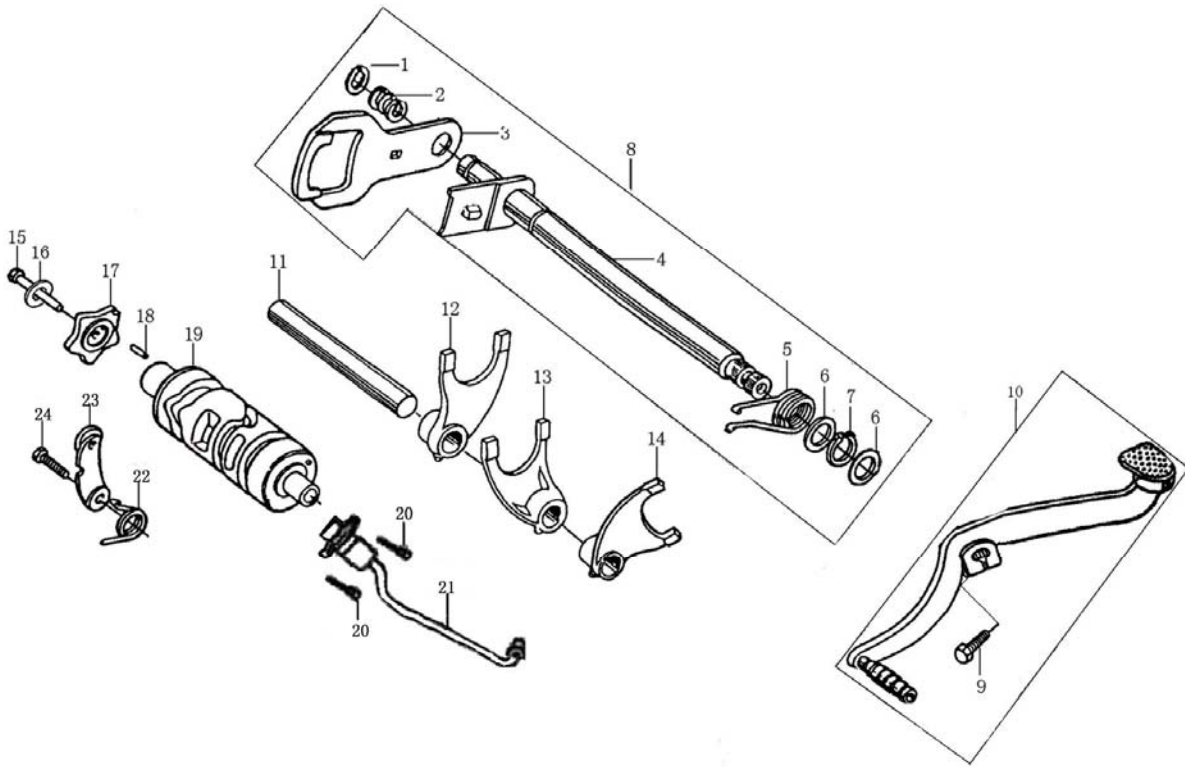
主副轴组合
TRANSMISSION MAIN, COUNTER SHAFT

S/N	Part No.	Description	Part name	Qty.	
1	23220-MZ01-0000	100203454	MAIN SHAFT, TRANSMISSION	摩擦保护CG250电倒档主轴组合	1
2		100106510	WASHER 15.2×1×25	平垫圈(φ15.2×1×φ25 工具钢)	1
3		100103627	GEAR M-2	CG200-A水冷主轴2档齿轮	1
4		100103641	GEAR M-4	摩擦保护CG250电倒档主轴4档齿轮	1
5		100103647	WASHER	CB125脚齿轮隔圈	3
6		100100596	CIRCLI φ18.5×1.2×φ22.1	70启动轴挡圈(φ18.5×1.2×φ22.1)	3
7		100103661	SPARK PLUG CAP	摩擦保护CG250电倒档主轴滑块	1
8		100103628	GEAR M-3	CG200-A水冷主轴3档齿轮	1
9		100203469	TRANSMISSION MAIN SHAFT	摩擦保护CG250电倒档主轴芯轴	1
10		100106468	WASHER 20.2×0.5×27	平垫圈(φ20.2×0.5×φ27 弹簧钢)	1
11		100203509	FINAL SHAFT	摩擦保护CG150D倒档启动齿轮组合	1
12		100031911-0004	BOLT M6×10	GB5783螺栓M6×10(兰白锌)	2
13	23402-I006-0000	100103850	FIXING PLATE,DRIVE SPROCKET	CB125脚主动链轮固定板	1
14	23401-I008-0000B	100103810	DRIVE SPROCKET	CG125D主动链轮(428.15)	1
15		100106527	WASHER 20.2×1.0×27	平垫圈(φ20.2×1×φ27)	1
16		100103737	GEAR C-2	CG200-A水冷副轴2档齿轮	1
17		100103763	GEAR C-4	摩擦保护CG250电倒档副轴4档齿轮	1
18		100203623	TRANSMISSION COUNTER SHAFT	摩擦保护CG250电倒档副轴芯轴	1
19		100103773	REVERSE GEAR	摩擦保护CG250电倒档副轴倒档齿轮	1
20		100103762	GEAR C-3	摩擦保护CG250电倒档副轴3档齿轮	1
21		100106511	WASHER 15.2×1×30	平垫圈(φ15.2×1×φ30)	1
22		100203405	GEAR BUSH	CB125脚副轴1档齿轮衬套	1
23		100103761	GEAR C-1	摩擦保护CG250电倒档副轴1档齿轮	1
24		100203636	COLLAR	摩擦保护CG150D倒档副轴齿轮轴套	1
25		100106434	WASHER 16.5×0.5×24	平垫圈(φ16.5×0.5×φ24)	1
26	23240-MZ01-0000-S11B	100203580	COUNTERSHAFT TRANSMISSION	摩擦保护CG250电倒档副轴组合	1
27		100203389	TRANSMISSION MAIN, COUNTER SHAFT	摩擦保护CG250电倒档主副轴组合	1



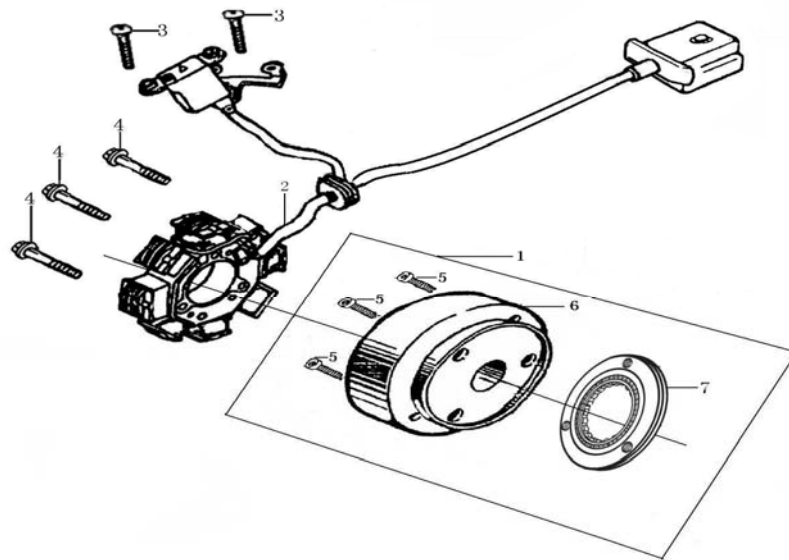
倒档惰轮机构IDLER SETUP

S/N		Part No.	Description	Part name	Qty.
1		100203706	SHAFT,REDUCTION	摩擦保护CG150D倒档双联齿轮轴	1
2		100203705	TWIN GEAR, SET	摩擦保护CG250电倒档双联齿轮	1
3		100106509	WASHER 15×1×24	平垫圈(φ15×1×φ24)	1
4	2360B-MZ01-0000	100203708	SHAFT	摩擦保护CG250电倒档双联轴组合	1
5		100100596	CIRCLI φ18.5×1.2×φ22.1	70启动轴挡圈(φ18.5×1.2×φ22.1)	3
6		100203477	WASHER	CG125D齿轮隔圈	2
7		100203698	PIVOT,REVERSE GEAR IDLER WHEEL	摩擦保护CG150D倒档惰轮芯轴	1
8		100203701	REVERS IDLER	摩擦保护CG250电倒档惰轮	1
9		100103674	GEAR	摩擦保护CG250电倒档摩擦齿轮	1
10		100106649	WASHER 23.5×0.4×31	波形弹性垫圈(φ23.5×0.4×φ31)	1
11		100203633	SUB-AXLE LOCK PLANK	摩擦保护CG150D倒档副轴锁止板	1
12		100055033	GEAR COVER	摩擦保护CG150D倒档摩擦齿轮套	1
13		100106468	WASHER 20.2×0.5×27	平垫圈(φ20.2×0.5×φ27 弹簧钢)	2
14		100106499	WASHER 12×1×18	平垫圈(φ12×1×φ18)	1
15	23601-MZ01-0000	100203695	IDLER SETUP	摩擦保护CG250电倒档惰轮机构组件	1



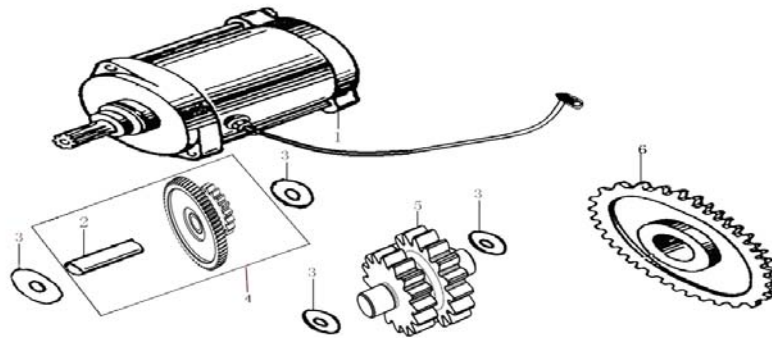
变速器机构 GEARSHIFT MECHANISM

S/N		Part No.	Description	Part name	Qty.
1		100011095	CIRCLIP 12	GB894.1挡圈12(轴径12 内径11)	1
2		100103977	SPRING, GEARSHIFT PLATE	CB125脚换挡板弹簧	1
3		100103999	GEARSHIFT PLATE	CG125D换挡板(五档循环档)	1
4		100203919-0001	GEARSHIFT SHAFT COMP	CG200-A水冷换挡轴组合	1
5		100203926	RETURN SPRING	CG125D换挡回位弹簧	1
6		100106402	WASHER 14×0.5×20	平垫圈(φ14×0.5×φ20)	2
7		100011096	CIRCLIP 14	GB894.1挡圈14(轴径14 内径12.9)	1
8	24300-LA73-0100	100203892-0001	GEARSHIFT LEVER COMP	CG200-A水冷换挡臂部件	1
9		100011174-0006	BOLT M6×20	GB5783螺栓M6×20(白铬)	1
10	902001-	100204027	GEARSHIFT SHAFT	CG125D变速踏板部件(BT-16)白铬	1
11	24107-1006-	100103914	SHAFT, GEARSHIFT FORK	CB125脚拨叉轴	1
12		100103895	RIGHT FORK, COUNTERSHAFT	CB125脚副轴右拨叉	1
13		100103904	CENTER FORK, MAINSHAFT	CB125脚主轴拨叉	1
14		100203734	LEFT FORK, COUNTERSHAFT	摩擦保护CG150D倒档副轴左拨叉	1
15		100100420-0002	BOLT	CG125D五星板紧固螺栓(兰白锌)	1
16		100010886-0005	WASHER φ6	GB93弹垫φ6(白锌)	1
17	24202-1008-	100103944	STOPPING PLATE	CG125D五星板(五档循环档)	1
18		100032886	PIN 4×10	GB119.1圆柱销φ4×10	1
19	24213-JZ02-	100203838	GEARSHIFT DRUM	摩擦保护CG150D倒档变速鼓	1
20		100100472	SCREW	摩擦保护CG150D倒档档显螺钉组合	2
21	100208374	100208374-0002	GEARSHIFT SWITCH COMP	摩擦保护CG150D倒档档显线束	1
22		100103981	SPRING, LOCATING PLATE	CB125脚定位板弹簧	1
23	2434A-1008	100059045	LOCATING PLATE ASSY	CG125D定位板组合(长压板五档循环档及五档非循环档_轴套结构)	1
24	24304-1006-	100100387-0002	BOLT FIXING PLATE	CG125D档位定位板螺栓	1



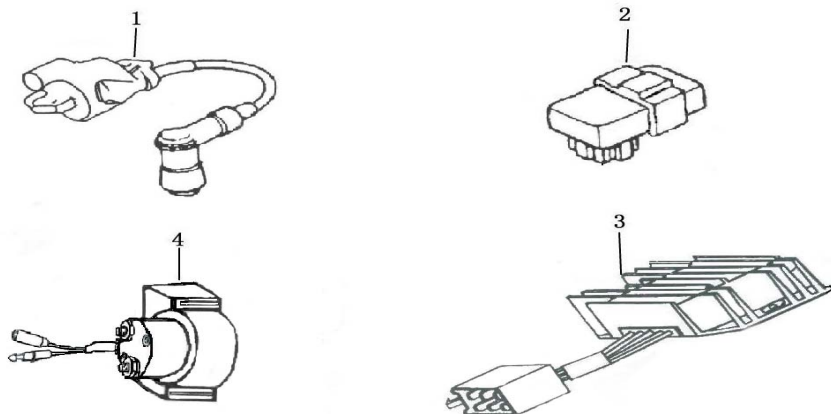
磁电机总成 MAGNETO COMP

S/N	Part No.	Description	Part name	Qty.
1	100052685	ROTOR ASSY,MAGNETO	CG125D磁电机转子组合	1
2	100104175	STATOR ASSY,MAGNETO	CG125D磁电机定子组合	1
3	100011169-0004	BOLT M5×16	GB5783螺栓M5×16(兰白锌)	2
4	100011170-0003	BOLT M5×25	GB5783螺栓M5×25(兰白锌)	3
5	115200-025	BOLT M8×18	CG125D超越离合器紧固螺钉M8×18	3
6	100104199	ROTOR ASSY,MAGNETO	CG125D磁电机转子组合	1
7	21300-LA73-0000	ASSEMBLY, OVERRUNNING CLUTCH	CG200-A水冷超越离合器部件(楔块式)	1



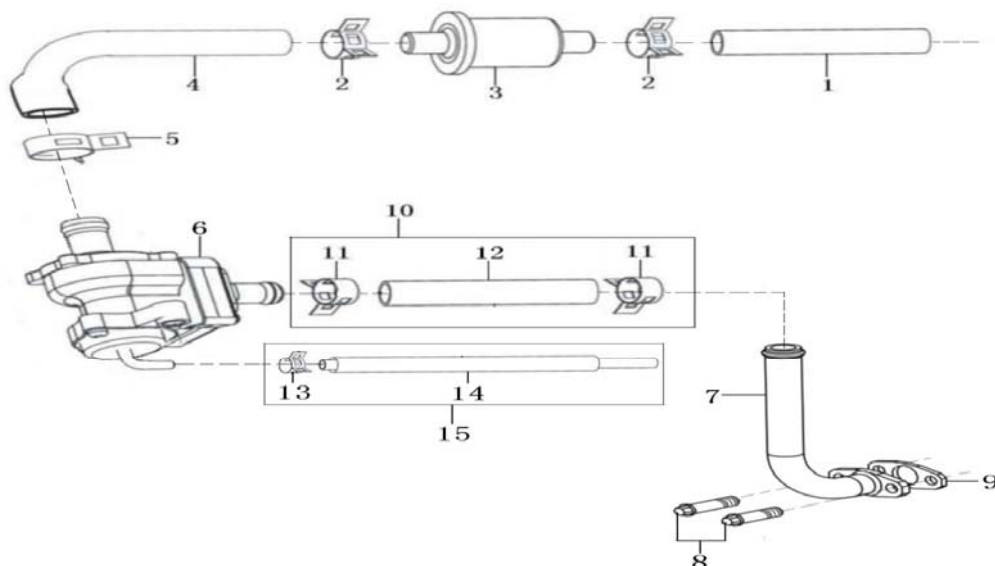
电启动机构
ELECTRIC STARTING MECHANISM

S/N	Part No.	Description	Part name	Qty.
1	82200-LA73-2000	STARTING MOTOR ASSY	SB250海啸启动电机	1
2	100202640	SHAFT,REDUCTION	CG125D双联齿轮轴(2#)	1
3	100106391	WASHER 10.5×0.5×18	平垫圈(φ10.5×0.5×φ18)	4
4	2140A-I008-0103-B	GEAR, REDUCTION, 1	SB250海啸双联齿轮组合一	1
5	21401-I008-11000	GEAR, REDUCTION, 2	SB250海啸双联齿轮二	1
6	21422-LA73-0000c	PLATE GEAR ASSY	CG200-A水冷启动大齿轮组合	1



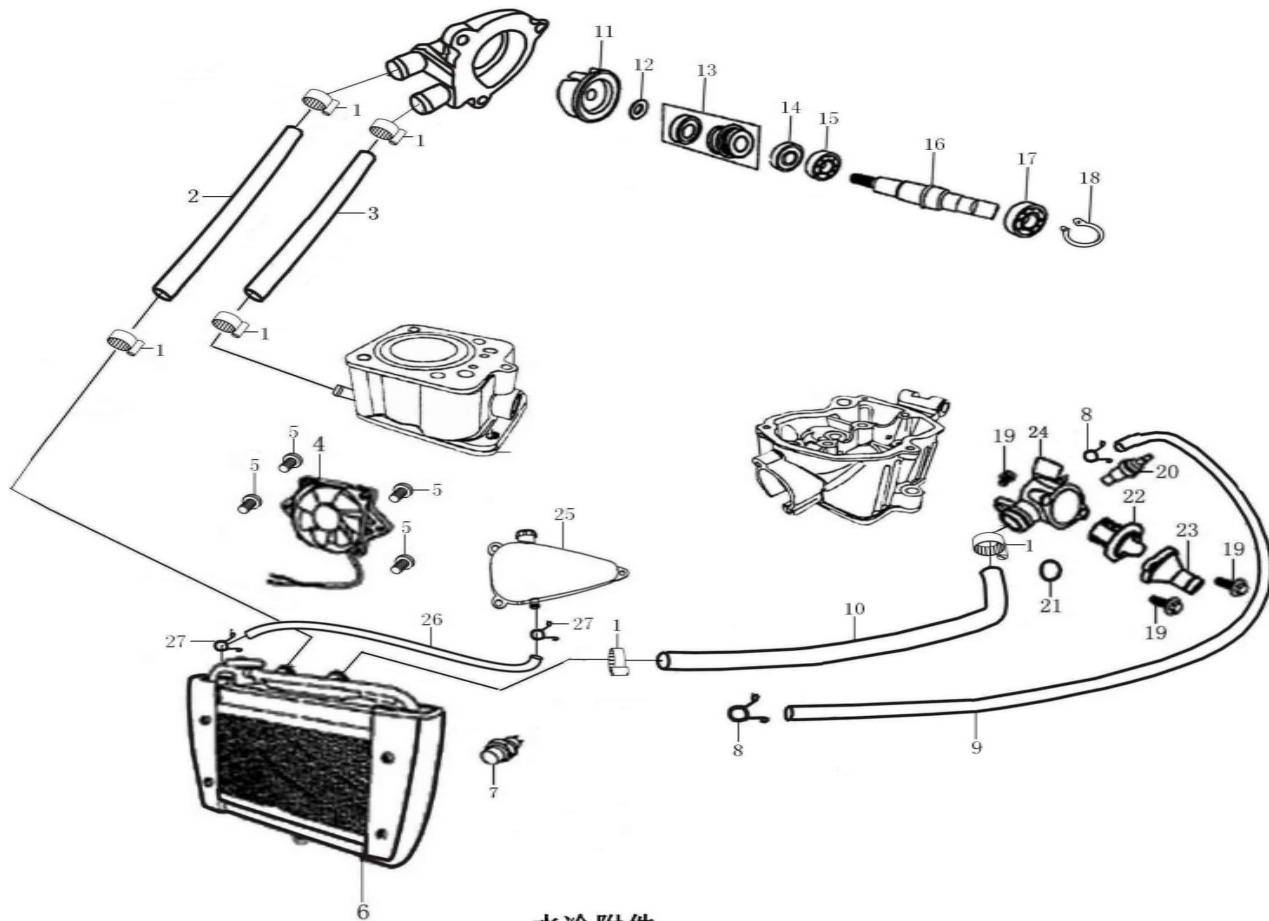
电器件 ELECTRIC

S/N		Part No.	Description	Part name	Qty.
1	902001-	100204266-0006	IGNITION COIL	高压包(MG03B L:500)	1
2	360100-	100104095	C.D.I	点火器(MD125-3B)	1
3	302000-	100205413	RECTIFIER	整流调压器(MT12V8-ZS05B)	1
4	301000-	100205381	RELAY	继电器(MQJ10-ZS01A)	1



废气再循环系统
EXHAUST GAS RECIRCULATION SYSTEM

S/N		Part No.	Description	Part name	Qty.
1		100105396	CONNECTING PIPE	CG125D二次空滤器连接胶管II	1
2		100105402	HOOP	CG125D二次空滤器连接胶管卡圈(14)	2
3	184000-	100105406	SEC.AIR BOX VALVE	CG125D二次空滤器部件	1
4	162006-	100105392	CONNECTING PIPE	CG125D二次空滤器连接胶管I	1
5		100105403	HOOP	CG125D二次空滤器连接胶管卡圈	1
6	163000-	100105445	GAS PUMP	CG150D空气泵(带防尘胶套)	1
7		100201383-0001	IRON PIPE	CG125D废气循环铁管组合(5# 电泳黑)	1
8		100055589-0006	BOLT M6×16	GB16674小盘螺栓M6×16(兰白锌)	2
9		100104640	PAPER GASKET	PW70废气循环铁管纸垫	1
10		100201446	RUBBER PIPE	CG200-A废气循环橡胶管组件I(300)	1
11		100105484	CLAMP	CG125D废气循环管I卡箍	2
12		100108171	RUBBER PIPE	CG200-A废气循环橡胶管I(300)	1
13		100105485	CLAMP	CG125D废气循环管II卡箍	1
14		100105471	RUBBER PIPE	CG125D废气循环橡胶管II	1
15		100201432	RUBBER PIPE	CG125D废气循环橡胶管组件II	1



水冷附件
WATER COOLING SYSTEM

S/N	Part No.	Description	Part name	Qty.
1	100105707	CLIP	SB250海啸水管卡箍组件	6
2	100105645	WATER PIPE	SB125编织水管(13×20×500)	1
3	100105637	WATER PIPE	SB125编织水管(13×20×200)	1
4	1910B-IA20-100201503-0003	COOLING FAN ASSY	SB125冷却风扇组件(27# 接口:F08)	1
5	100031847-0006	SCREW M5×8	GB823螺钉M5×8(兰白锌)	4
6	152000-100201549	WATER COOLER	SB125水冷器(SBSX-07-2#)	1
7	100201772	SWITCH THERMISTOR	SB125热敏开关	1
8	100204708	CLIP , WATER PIPE	SB125小循环水管卡簧	2
9	100201599	SMALL CIRCULATING FEEDING PIPE	SB125循环水管(3.5×7.5×600)	1
10	100105645	WATER PIPE	SB125编织水管(13×20×500)	1
11	100105523	ANE WHEEL WATER PUMP	SB125水泵叶轮(三轮车)	1
12	100105529	GASKET, VANE WHEEL WATER PUMP	SB125水泵叶轮衬垫	1
13	100105546	MECHANISM SEAL ASSY	SB125机械密封组合(2#)	1
14	100104807	OIL SEAL 12×20×5	CH125水泵轴油封(12×20×5 AEM)	1
15	100100925	BEARING (6901)	轴承(6901)	1
16	100055248	SHAFT , WATER PUMP	SB125水泵轴(2#)	1
17	100031716	BEARING (6000)	轴承(6000)	1
18	100032998	CIRCLIP 26	GB893.2挡圈26	1
19	100055589-0006	BOLT M6×16	GB16674小盘螺栓M6×16(兰白锌)	3
20	100105563	SENSER,WATER COOLER	CH125水温传感器	1
21	100107671	O-RING 14.8×1.9	O型圈(φ14.8×1.9 氟橡胶)	1
22	100105679	THERMOSTAT ASS.	CH125节温器组合(温控阀 改进型 60度)	1
23	100105588	THERMOSTAT COVER	SB125节温器罩(抛丸钝化II代)	1
24	100105585	CASE , THERMOSTAT	SB125节温器外壳组合(抛丸钝化II代)	1
25	152400-100201621	WATER TANK	SB125附水箱	1
26	100105581	PIPE	SB125附水箱连接胶管(8×12×300)	1
27	100204709	CLIP , WATER PIPE	SB125副水箱连接水管卡簧	2